
THE INTERLOCK
REIMAGINED.



ATLOCK™ SERIES
2018

 **ATLAS**
atlasaces.com



Atlas ATLOCK™ SERIES

THE INTERLOCK
REIMAGINED.

Peace of mind within reach. With the **Atlas ATLOCK™ Series**, improve speed and efficiency while eliminating costs and safety concerns.

A combination of performance and safety, the **Atlas ATLOCK™ Series** Door Interlock Switch is a electromechanical device made to provide the peace of mind when operating accessibility equipment by securing the landing or elevator door in place, preventing it from being opened in potentially unsafe conditions.

It's **industry-leading** design adapts to various applications including swing or sliding doors, dumbwaiters, material lifts, lifts for mobility impaired and private residence swing-door elevators.

Performance specifications	
Service Life	10 years
Operating Temperature	-40°C to 38°C (-40°F TO 100.4°F)
Storage Temperature	-40°C to 60°C (-40°F TO 140°F)
Approval	Listing No. E10695  
Electrical Rating	1.5A MAX., 27VDC MAX
Electrical Contacts	Long life (1,500,000 endurance cycles), Silver (Ag/AgSnO2), Positive Openings, Snap-action., Self-cleaning.

Features
ASME A17.1, ASME A18.1, CSA B44, and CSA B355 compliant
Two separate mechanical actions to indicate door closure
No maintenance
Metal key engagement
Door closure retention cam to hold door with minimal key-to-interlock play
Exceeds commercial pull force standard of 675 pounds
Runway and landing key override for easy actuation without user hazard and code compliance
Plug-in wire terminal available
24VDC applications - Continuous 100% duty cycle rated solenoid, 10W power consumption
2.00 in W x 8.50 in H x 1.75 in D
Available silicon boot for outdoor use

Features

As opposed to traditional door and gate latches, the **ATLOCK™** helps protect personnel and equipment by preventing operation of drive machine unless the door is locked and closed. Further more, it prevents the target landing door from opening until the cab is withing the door zone.

When the cabin has reached the desired landing, upon energizing the unlocking solenoid, the **ATLOCK™** automatically releases the door or gate, allowing the personnel or equipment to exit safely.

- Increased security and peace of mind for personnel and cargo.
- Meets required safety codes.
- Reliable performance and multiple design features to minimize nuisance stoppage.

Key benefits

1 Innovative industrial design

- A modern design resulting from intensive usability research and analysis.
- Reduces OEM design and manufacturing costs.
- Fully machined and hardened aircraft aluminum/magnesium alloy casing for a robust and high-quality finish.
- High-contrast black finish and square shape that blends seamlessly with a wide variety of new and existing architectural designs.

2 Greater efficiency

- Reliable performance and multiple design features minimize nuisance stoppage.
- Simplified wiring and installation process.

3 Seamless integration

- The ATLOCK™ can be integrated into wide variety of current designs including; Swing and sliding doors, Dumbwaiters, Material lifts, Mobility and accessibility lifts, Private residence elevators, and more.



▲ Balanced approach

The ATLOCK™ provides the perfect blend of design and practical features.

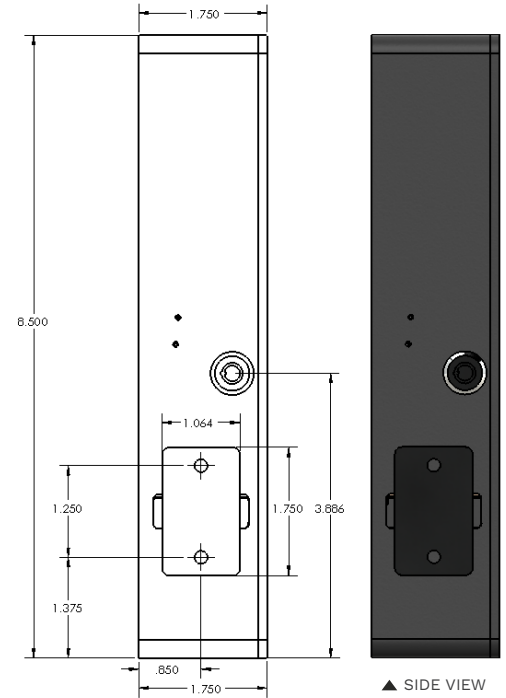
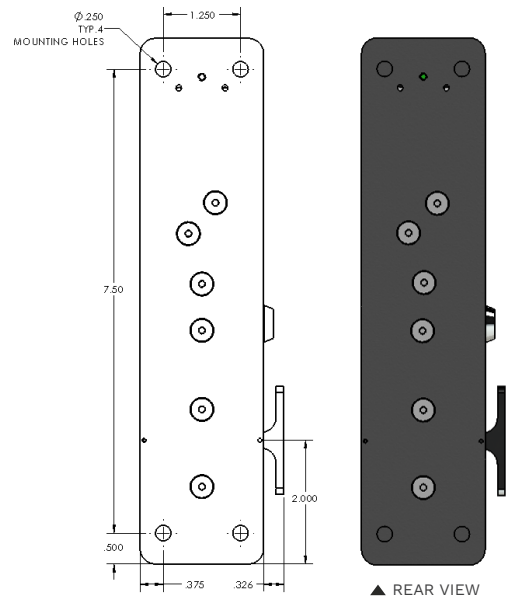
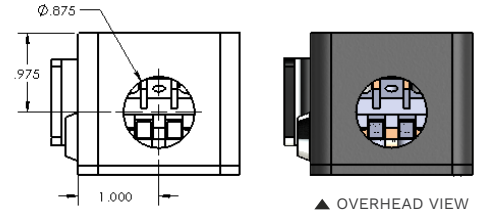


▲ Seamless Integration

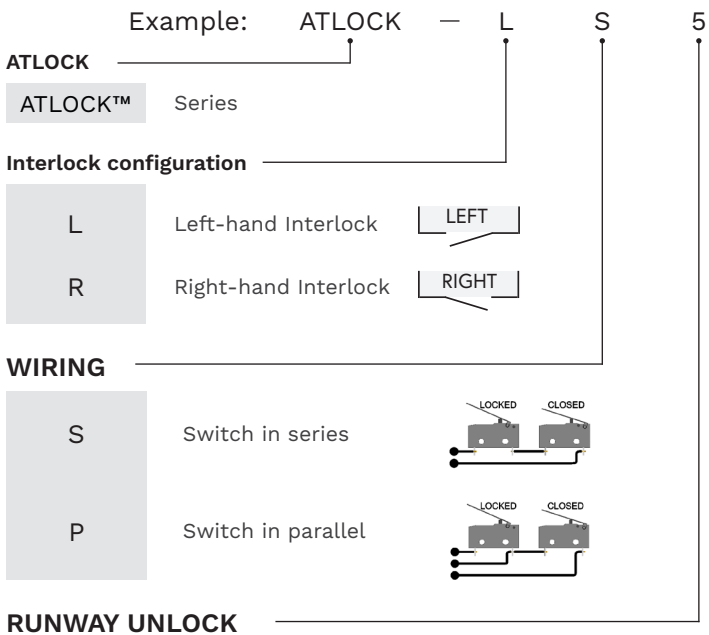
The ATLOCK™ can be integrated into wide variety of current designs.

Configurations for your new or existing project.

ATLOCK™ Series Interlocks have a wide selection of configurations and are available in left and right hand designs, allowing for simple installation, customization, and even retrofitting into current designs and projects. Moreover, the **ATLOCK™** contributes to increased safety, reducing nuisance stoppages and callbacks.



Catalog Number



Optional parts

ATL-BOOT	Silicon boot for outdoor use
ATL-001-02	Replacement Engagement key
ATL-002-25	Replacement Aluminum ATLOCK™ cover
ATL-002-26	Replacement Aluminum lock cap with Ø 1/16" dowel pins
ATL-002-28	Replacement Aluminum key cap with Ø 1/16" dowel pins

www.atlasacces.com

Les Escalateurs 1991 Inc. reserves the right to alter the product design and specifications without prior notice. Minor differences between printed and actual products may exist.

Copyright © 2018 Les Escalateurs Atlas (1991) Inc.