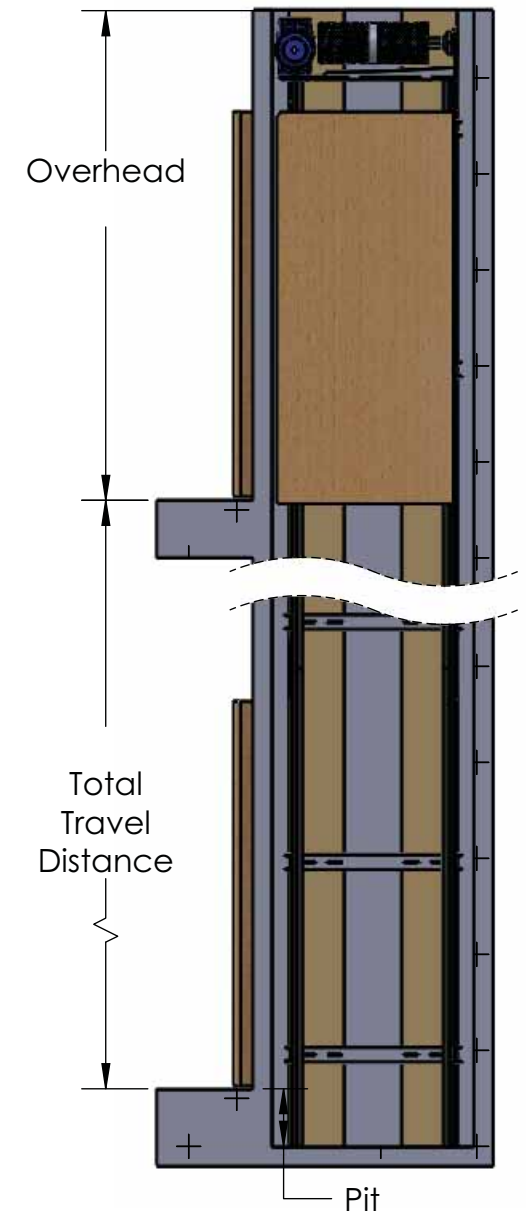
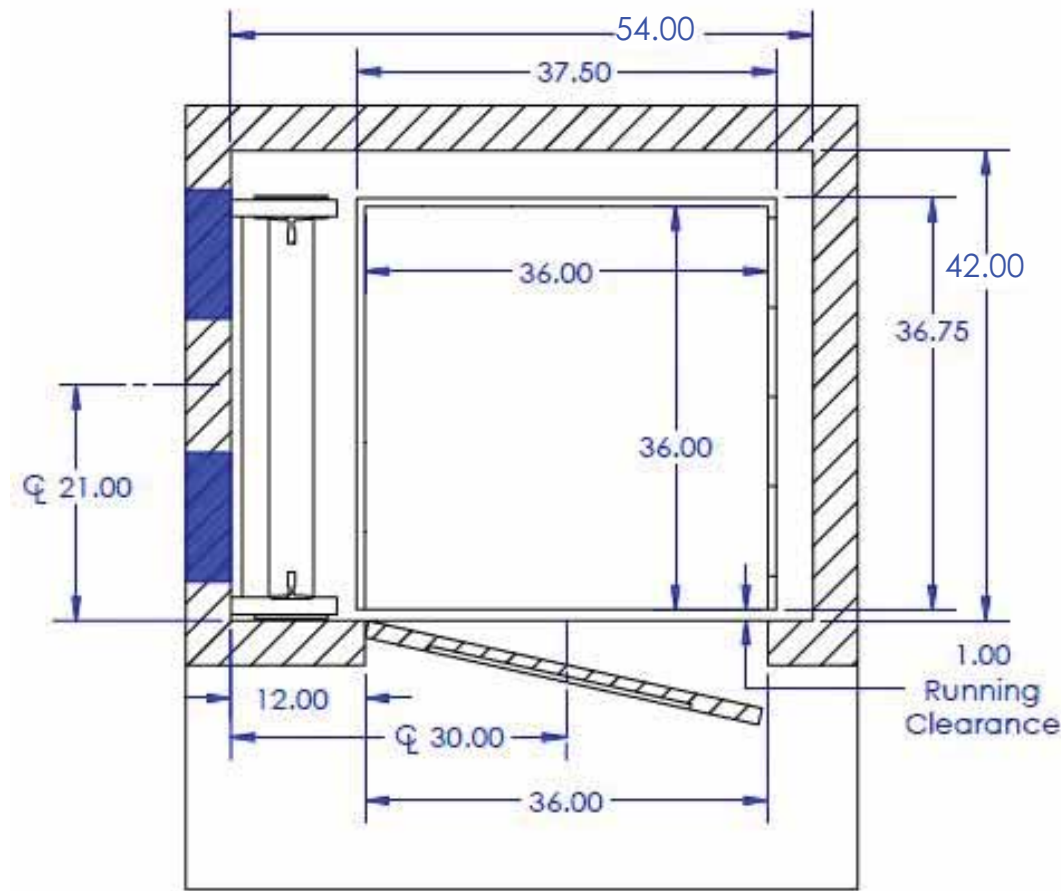
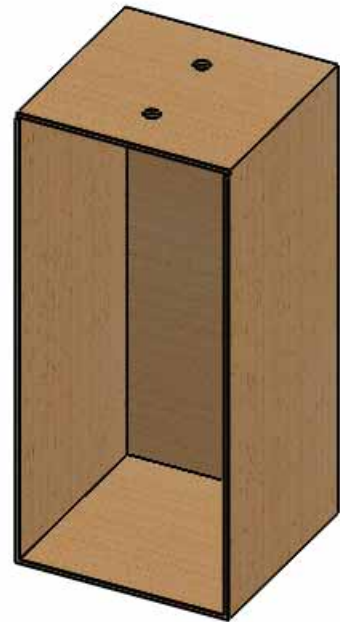


**Standard 3636L Package Specs:**

- Rails stack on right side of elevator shaft
- 36" wide x 36" Deep Platform Size, 80" Height
- 3/4" finished floor allowance, 3/4" birch subfloor
- Aluminum platform
- 2 LED cab lights, automatic on/off
- Brushed aluminum fixtures
- Emergency Phone
- Standard Birch wall finish
- White accordion gate
- Honeywell door interlocks
- Swing doors and jambs by others.

**Available Options:**

- Clear accordion gate
- 4 LED lights
- Automatic Gate Operator
- Battery Lowering w/ Emergency Lighting
- Flush mount door jamb kit



**Elevator Shaft Requirements:**

Pit: 12"  
Width: 54" Min  
Depth: 42" Min

**Minimum Overhead Clearance:**

Cab	Overhead
80"	102"
84"	106"
95"	117"



- All swing doors must comply with ASME 17.1, National Elevator Code, 3 x 5 rule or 3/4" x 3" as required by local jurisdiction.
- Minimum shaft sizes shown.
- Consult factory for changes to door swing or offset location.
- See Rail Bracket Detail sheet for anchoring and support details.
- See Electrical Requirement sheet for electrical requirements
- All hoistway dimensions are inside finished clear dimensions.

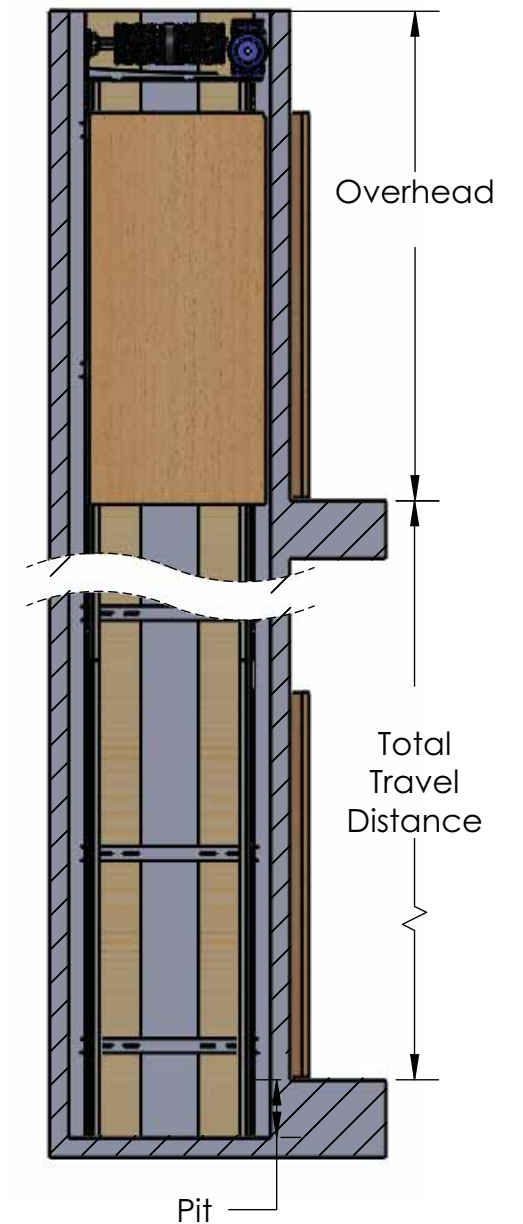
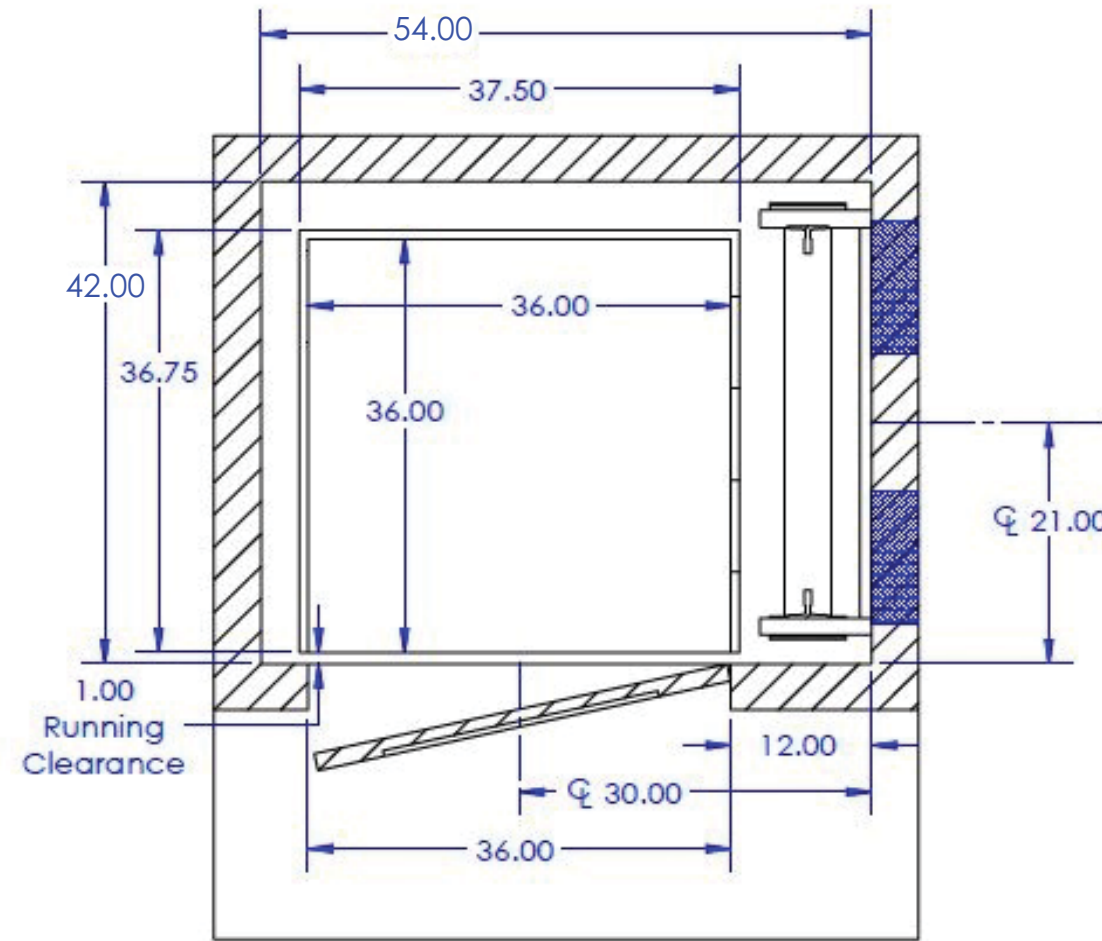
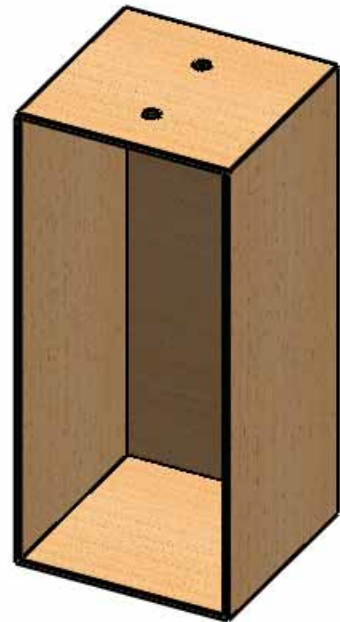
<b>DRAWING NOT TO SCALE</b>	NAME	DATE	PROJECT NAME
	Filed By		
	By signing below, you are authorizing this job to be released for production as listed.		PROJECT LOCATION
	Release for production		COMMENTS:
<b>PROPRIETARY AND CONFIDENTIAL</b> THE INFORMATION CONTAINED IN THIS DRAWING IS THE SOLE PROPERTY OF PRECISION LIFT INDUSTRIES, LLC. ANY REPRODUCTION IN PART OR AS A WHOLE WITHOUT THE WRITTEN PERMISSION OF PRECISION LIFT INDUSTRIES, LLC IS PROHIBITED.	PO#		
	SIZE	DWG. NO.	REV.
	A	<b>3636L</b>	
SCALE 1:16			SHEET 8 OF 12

**Standard 3636R Package Specs:**

- Rails stack on right side of elevator shaft
- 36" wide x 36" Deep Platform Size, 80" Height
- 3/4" finished floor allowance, 3/4" birch subfloor
- Aluminum platform
- 2 LED cab lights, automatic on/off
- Brushed aluminum fixtures
- Emergency Phone
- Standard Birch wall finish
- White accordion gate
- Honeywell door interlocks
- Swing doors and jambs by others.

**Available Options:**

- Clear accordion gate
- 4 LED lights
- Automatic Gate Operator
- Battery Lowering w/ Emergency Lighting
- Flush mount door jamb kit



**Elevator Shaft Requirements:**

Pit: 12"  
Width: 54" Min  
Depth: 42" Min

**Minimum Overhead Clearance:**

Cab	Overhead
80"	102"
84"	106"
95"	117"



- All swing doors must comply with ASME 17.1, National Elevator Code, 3 x 5 rule or 3/4" x 3" as required by local jurisdiction.
- Minimum shaft sizes shown.
- Consult factory for changes to door swing or offset location.
- See Rail Bracket Detail sheet for anchoring and support details.
- See Electrical Requirement sheet for electrical requirements
- All hoistway dimensions are inside finished clear dimensions.

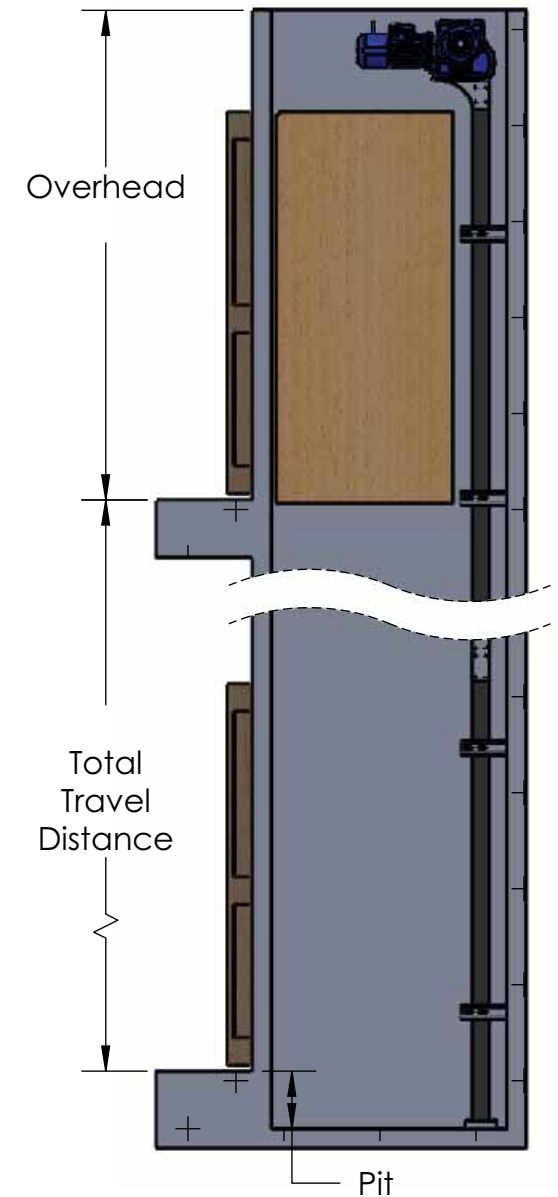
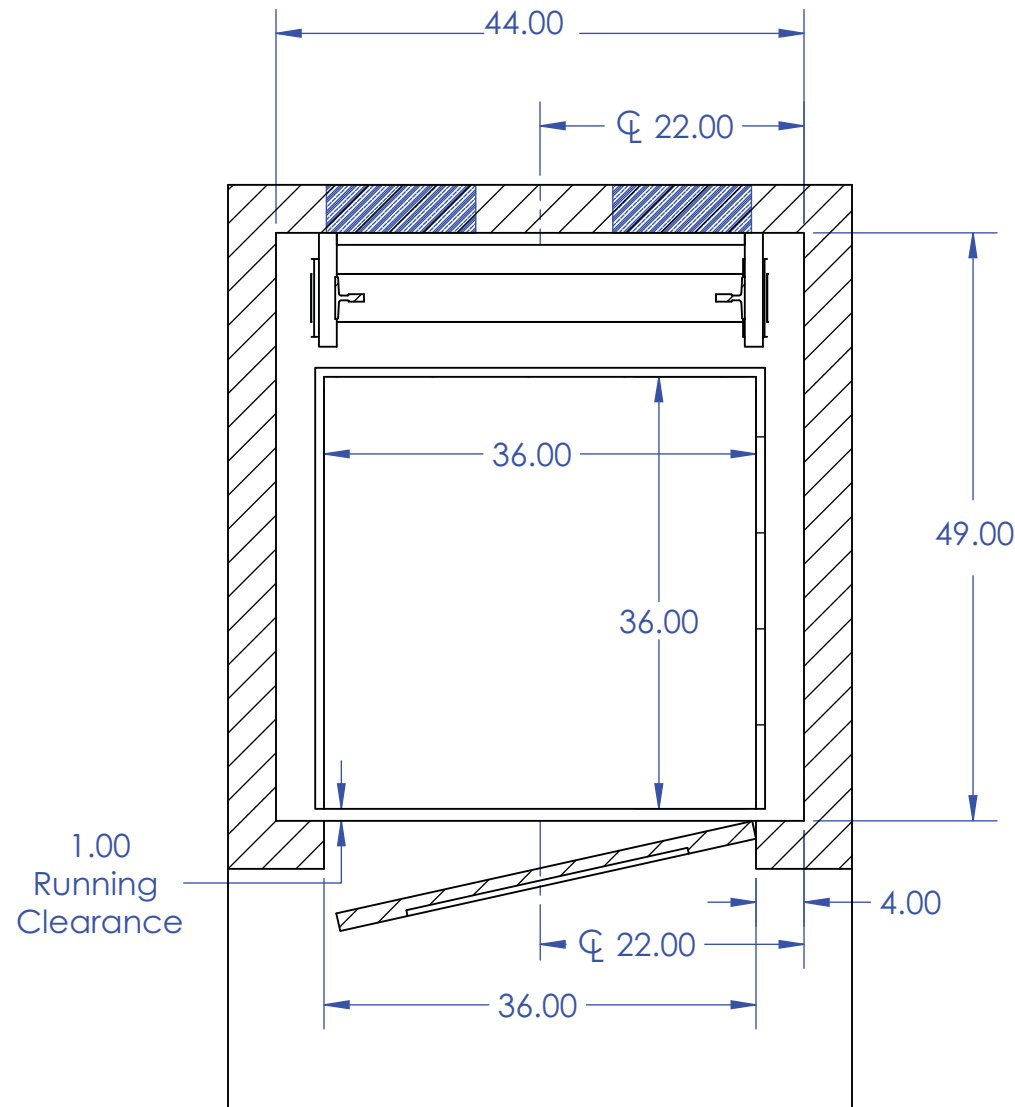
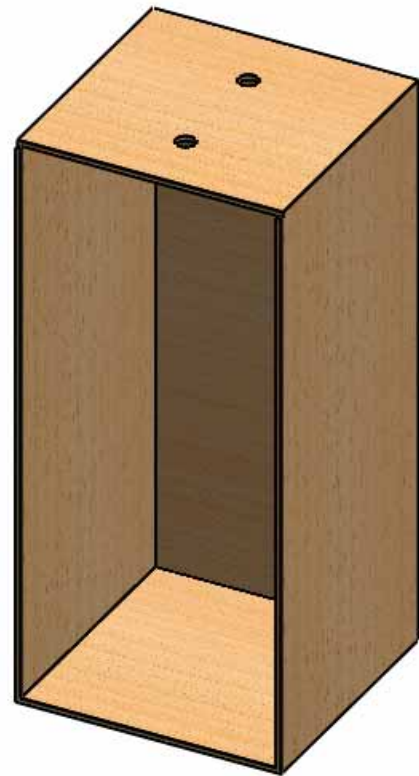
<b>DRAWING NOT TO SCALE</b>	NAME	DATE	PROJECT NAME
	Filed By		
	By signing below, you are authorizing this job to be released for production as listed.		PROJECT LOCATION
	Release for production		COMMENTS:
<b>PROPRIETARY AND CONFIDENTIAL</b> THE INFORMATION CONTAINED IN THIS DRAWING IS THE SOLE PROPERTY OF PRECISION LIFT INDUSTRIES, LLC. ANY REPRODUCTION IN PART OR AS A WHOLE WITHOUT THE WRITTEN PERMISSION OF PRECISION LIFT INDUSTRIES, LLC IS PROHIBITED.	PO#		
	SIZE	DWG. NO.	REV.
	A	<b>3636R</b>	
SCALE 1:16			SHEET 7 OF 12

**Standard 3636RW Package Specs:**

- Rails stack on rear wall of elevator shaft
- 36" wide x 36" Deep Platform Size, 80" Height
- 3/4" finished floor allowance, 3/4" birch subfloor
- Aluminum platform
- 2 LED cab lights, automatic on/off
- Brushed aluminum fixtures
- Emergency Phone
- Standard Birch wall finish
- White accordion gate
- Honeywell door interlocks
- Swing doors and jambs by others.

**Available Options:**

- Clear accordion gate
- 4 LED lights
- Automatic Gate Operator
- Battery Lowering w/ Emergency Lighting
- Flush mount door jamb kit



**Elevator Shaft Requirements:**

Pit: 12"  
 Width: 44" Min  
 Depth: 49"-51" Required

**Minimum Overhead Clearance:**

Cab	Overhead
80"	102"
84"	106"
95"	117"



- All swing doors must comply with ASME 17.1, National Elevator Code, 3 x 5 rule or 3/4" x 3" as required by local jurisdiction.
- Minimum shaft sizes shown.
- Consult factory for changes to door swing or offset location.
- See Rail Bracket Detail sheet for anchoring and support details.
- See Electrical Requirement sheet for electrical requirements
- All dimensions are to clear inside finished drywall

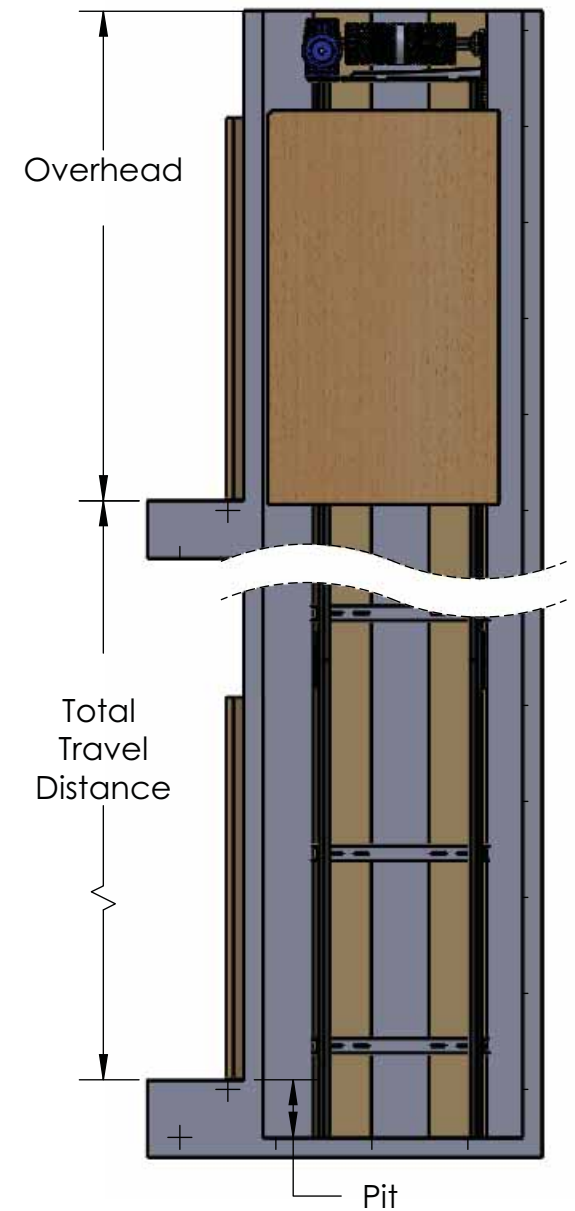
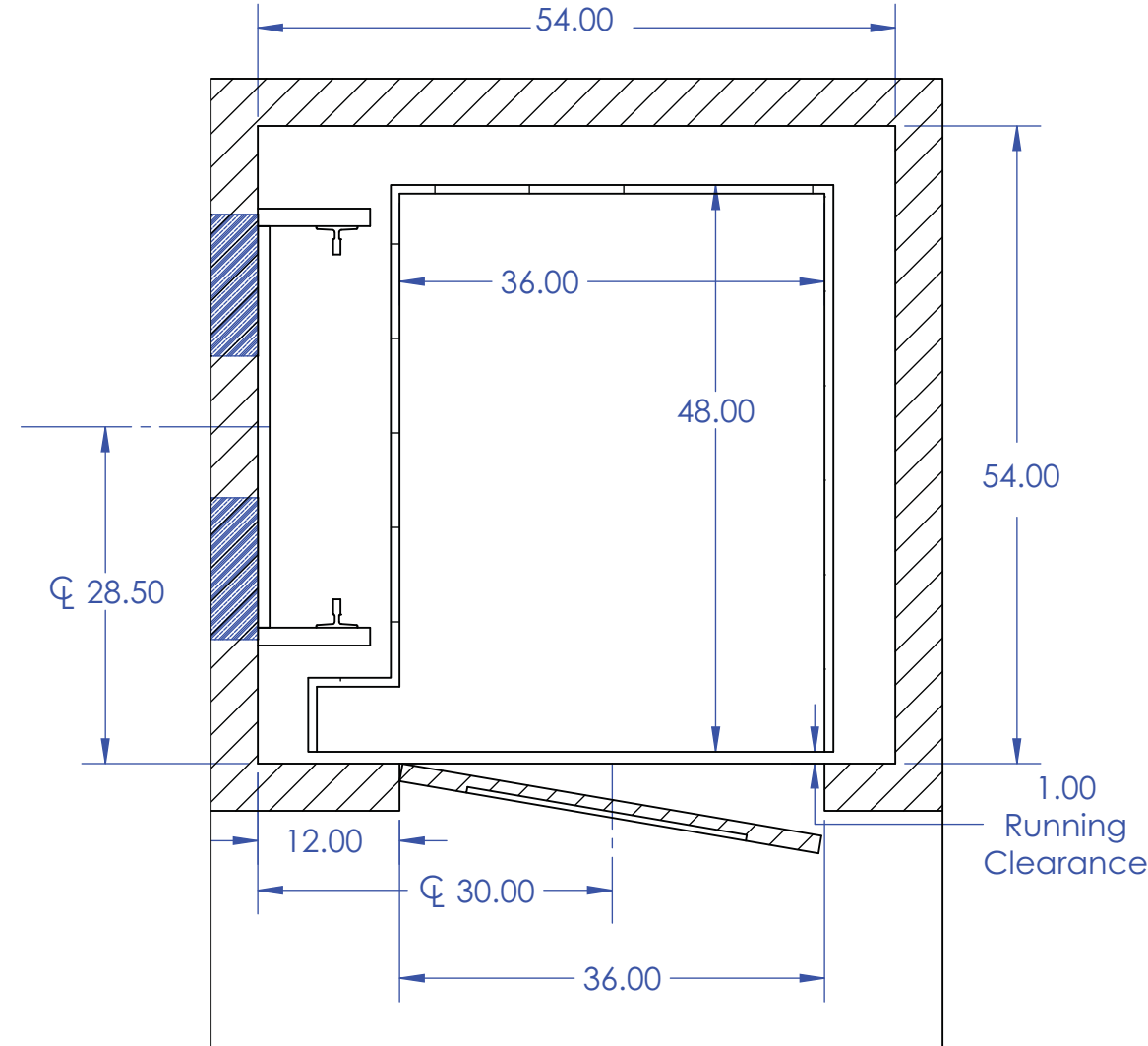
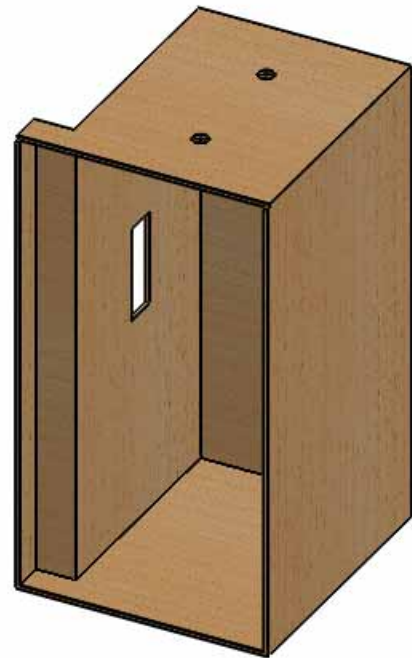
<b>DRAWING NOT TO SCALE</b>	NAME	DATE	PROJECT NAME
	Filed By		
<b>PROPRIETARY AND CONFIDENTIAL</b> <small>THE INFORMATION CONTAINED IN THIS DRAWING IS THE SOLE PROPERTY OF PRECISION LIFT INDUSTRIES, LLC. ANY REPRODUCTION IN PART OR AS A WHOLE WITHOUT THE WRITTEN PERMISSION OF PRECISION LIFT INDUSTRIES, LLC IS PROHIBITED.</small>	By signing below, you are authorizing this job to be released for production as listed.		PROJECT LOCATION
	Release for production		COMMENTS:
	PO#		
SCALE 1:16	SIZE DWG. NO. <b>3636RW</b>	REV.	SHEET 10 OF 2

**Standard 3648L Package Specs:**

- Rails stack on right side of elevator shaft
- 36" wide x 48" Deep Platform Size, 80" Height
- 3/4" finished floor allowance, 3/4" birch subfloor
- Aluminum platform
- 2 LED cab lights, automatic on/off
- Brushed aluminum fixtures
- Emergency Phone
- Standard Birch wall finish
- White accordion gate
- Honeywell door interlocks
- Swing doors and jambs by others.

**Available Options:**

- Clear accordion gate
- 4 LED lights
- Automatic Gate Operator
- Battery Lowering w/ Emergency Lighting
- Flush mount door jamb kit



**Elevator Shaft Requirements:**

Pit: 12"  
Width: 54" Min  
Depth: 54" Min

**Minimum Overhead Clearance:**

Cab	Overhead
80"	102"
84"	106"
95"	117"



- All swing doors must comply with ASME 17.1, National Elevator Code, 3 x 5 rule or 3/4" x 3" as required by local jurisdiction.
- Minimum shaft sizes shown.
- Consult factory for changes to door swing or offset location.
- See Rail Bracket Detail sheet for anchoring and support details.
- See Electrical Requirement sheet for electrical requirements
- All hoistway dimensions are inside finished clear dimensions.

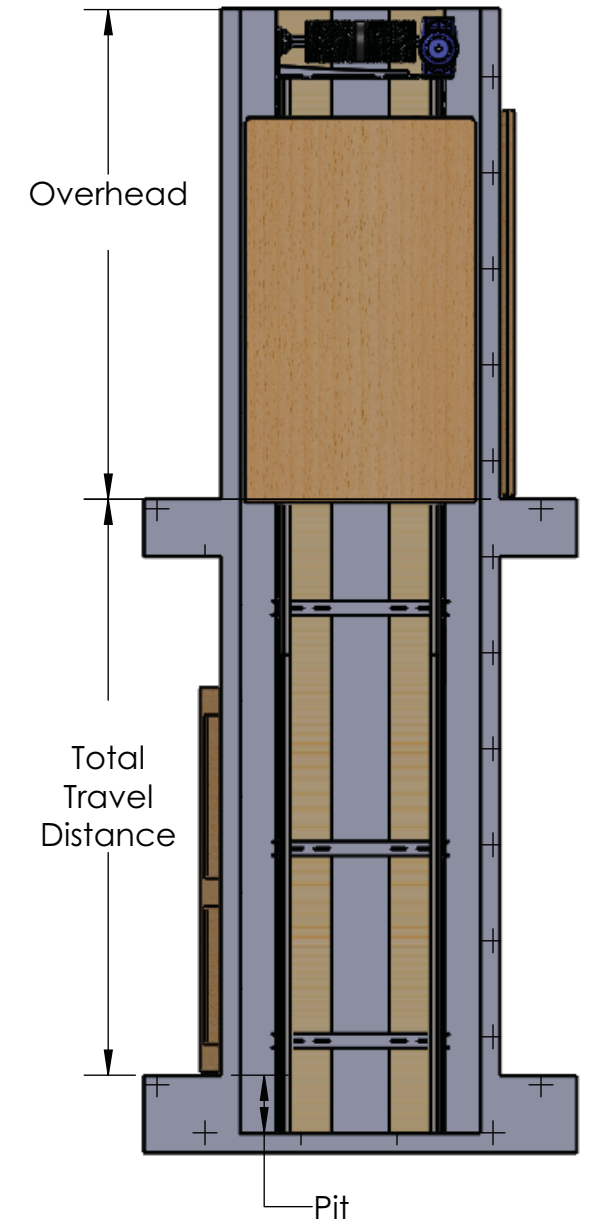
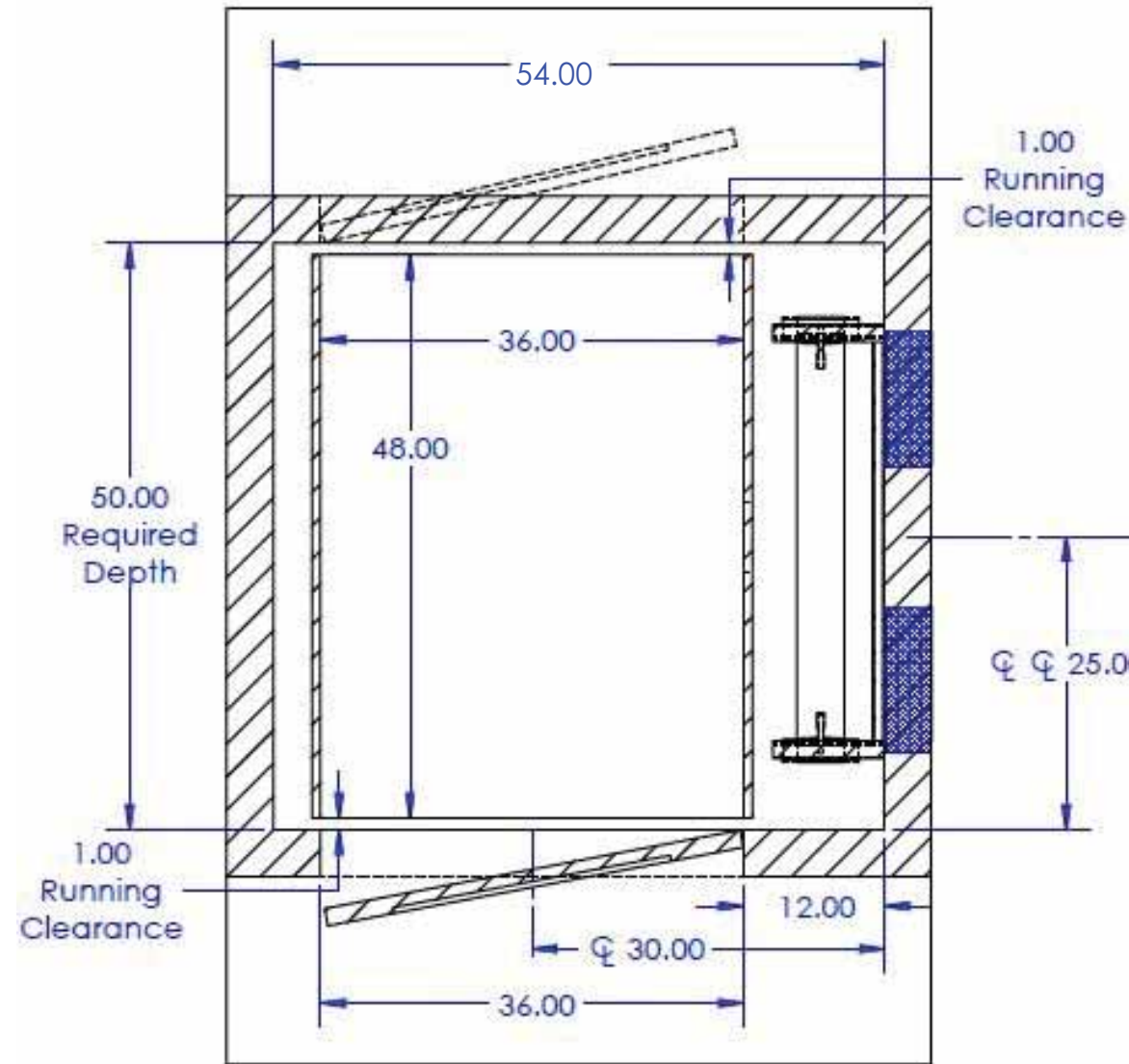
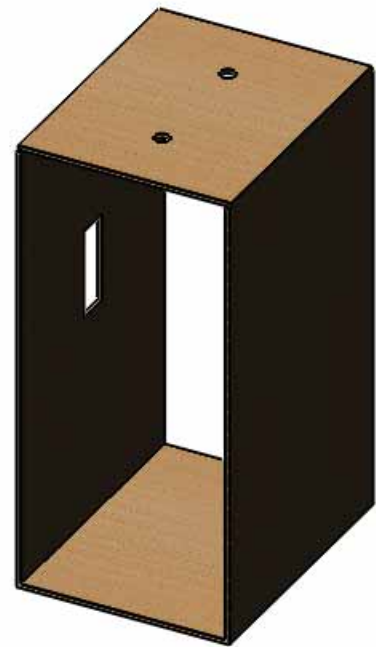
<b>DRAWING NOT TO SCALE</b>	NAME	DATE	PROJECT NAME
	Filed By		
<b>PROPRIETARY AND CONFIDENTIAL</b> <small>THE INFORMATION CONTAINED IN THIS DRAWING IS THE SOLE PROPERTY OF PRECISION LIFT INDUSTRIES, LLC. ANY REPRODUCTION IN PART OR AS A WHOLE WITHOUT THE WRITTEN PERMISSION OF PRECISION LIFT INDUSTRIES, LLC IS PROHIBITED.</small>	By signing below, you are authorizing this job to be released for production as listed.		PROJECT LOCATION
	Release for production		COMMENTS:
	PO#		
SCALE 1:16	SIZE DWG. NO. <b>3648L</b>	REV.	
			SHEET 2 OF 12

**Standard 3648PT Package Specs:**

- Rails stack on right or left side of elevator shaft
- 36" wide x 48" Deep Platform Size, 80" Height
- 3/4" finished floor allowance, 3/4" birch subfloor
- Aluminum platform
- 2 LED cab lights, automatic on/off
- Brushed aluminum fixtures
- Emergency Phone
- Standard Birch wall finish
- 2 White accordion gates
- Honeywell door interlocks
- Swing doors and jambs by others.

**Available Options:**

- 2 Clear accordion gates
- 4 LED lights
- 2 Automatic Gate Operators
- Battery Lowering w/ Emergency Lighting
- Flush mount door jamb kit



**Elevator Shaft Requirements:**

Pit: 12"  
Width: 54" Min  
Depth: 50" Required

**Minimum Overhead Clearance:**

Cab	Overhead
80"	102"
84"	106"
95"	117"



- All swing doors must comply with ASME 17.1, National Elevator Code, 3 x 5 rule or 3/4" x 3" as required by local jurisdiction.
- Minimum shaft sizes shown.
- Consult factory for changes to door swing or offset location.
- See Rail Bracket Detail sheet for anchoring and support details.
- See Electrical Requirement sheet for electrical requirements

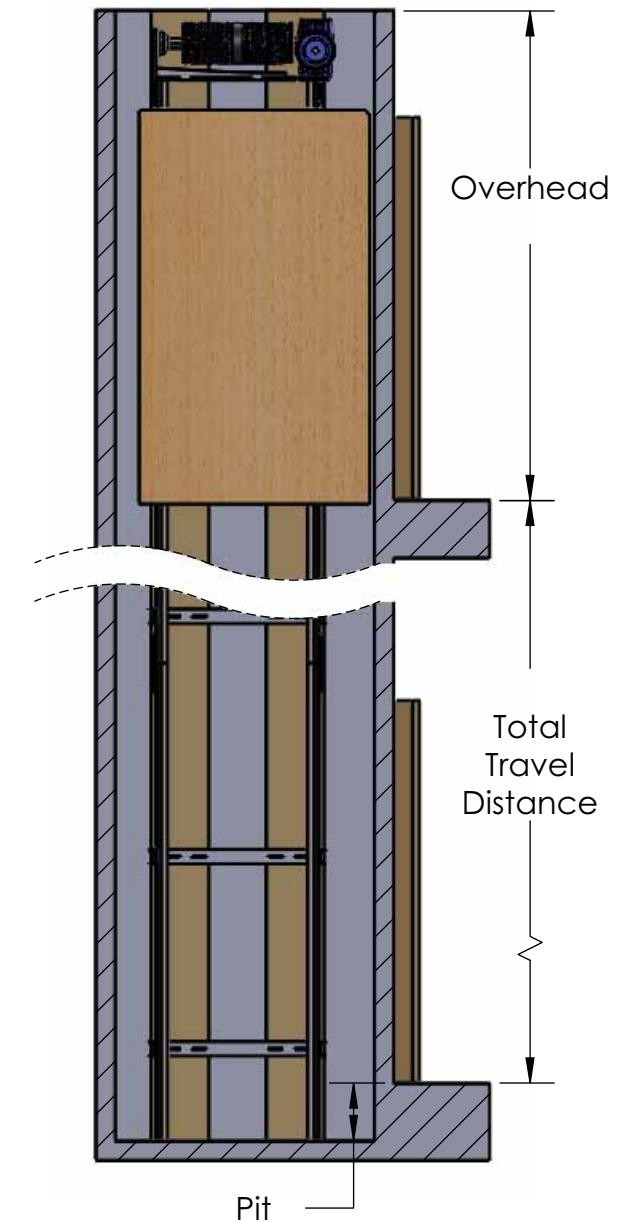
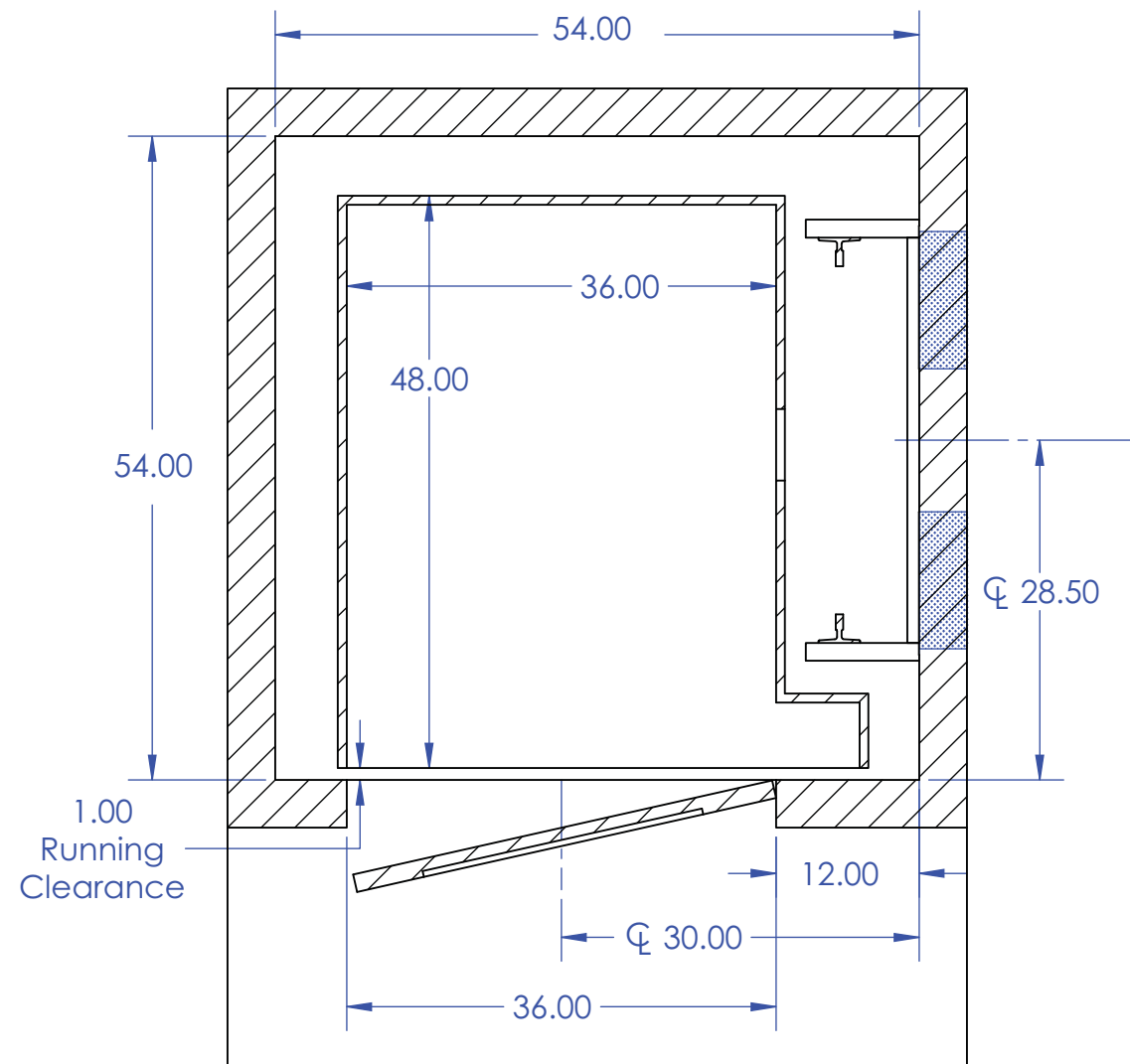
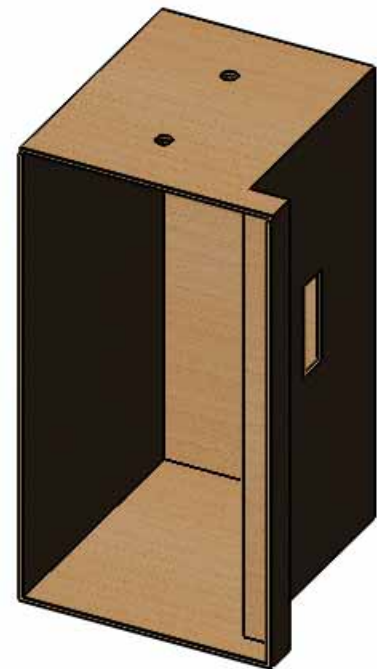
<b>DRAWING NOT TO SCALE</b>	NAME	DATE	PROJECT NAME
	Filed By		
	By signing below, you are authorizing this job to be released for production as listed.		PROJECT LOCATION
<b>PROPRIETARY AND CONFIDENTIAL</b> <small>THE INFORMATION CONTAINED IN THIS DRAWING IS THE SOLE PROPERTY OF PRECISION LIFT INDUSTRIES, LLC. ANY REPRODUCTION IN PART OR AS A WHOLE WITHOUT THE WRITTEN PERMISSION OF PRECISION LIFT INDUSTRIES, LLC IS PROHIBITED.</small>	Release for production		COMMENTS:
	PO#		
	SIZE	DWG. NO.	REV.
A	<b>3648PT</b>		
SCALE 1:16		SHEET 10 OF 12	

**Standard 3648R Package Specs:**

- Rails stack on right side of elevator shaft
- 36" wide x 48" Deep Platform Size, 80" Height
- 3/4" finished floor allowance, 3/4" birch subfloor
- Aluminum platform
- 2 LED cab lights, automatic on/off
- Brushed aluminum fixtures
- Emergency Phone
- Standard Birch wall finish
- White accordion gate
- Honeywell door interlocks
- Swing doors and jambs by others.

**Available Options:**

- Clear accordion gate
- 4 LED lights
- Automatic Gate Operator
- Battery Lowering w/ Emergency Lighting
- Flush mount door jamb kit



**Elevator Shaft Requirements:**

Pit: 12"  
Width: 54" Min  
Depth: 54" Min

**Minimum Overhead Clearance:**

Cab	Overhead
80"	102"
84"	106"
95"	117"



- All swing doors must comply with ASME 17.1, National Elevator Code, 3 x 5 rule or 3/4" x 3" as required by local jurisdiction.
- Minimum shaft sizes shown.
- Consult factory for changes to door swing or offset location.
- See Rail Bracket Detail sheet for anchoring and support details.
- See Electrical Requirement sheet for electrical requirements
- All hoistway dimensions are inside finished clear dimensions.

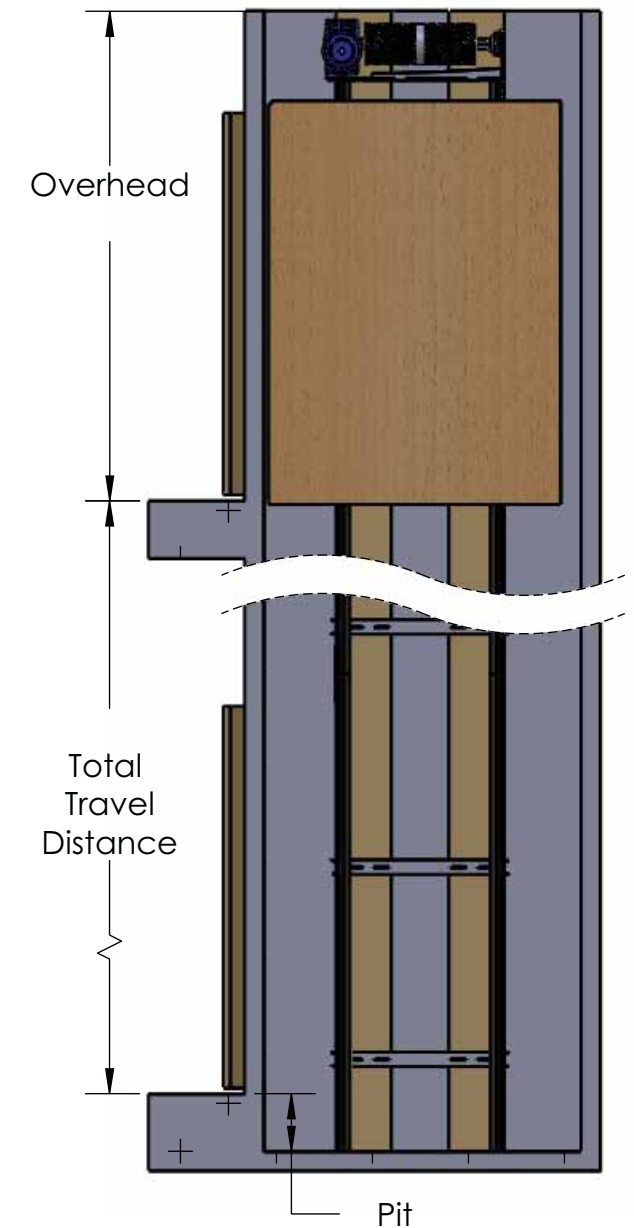
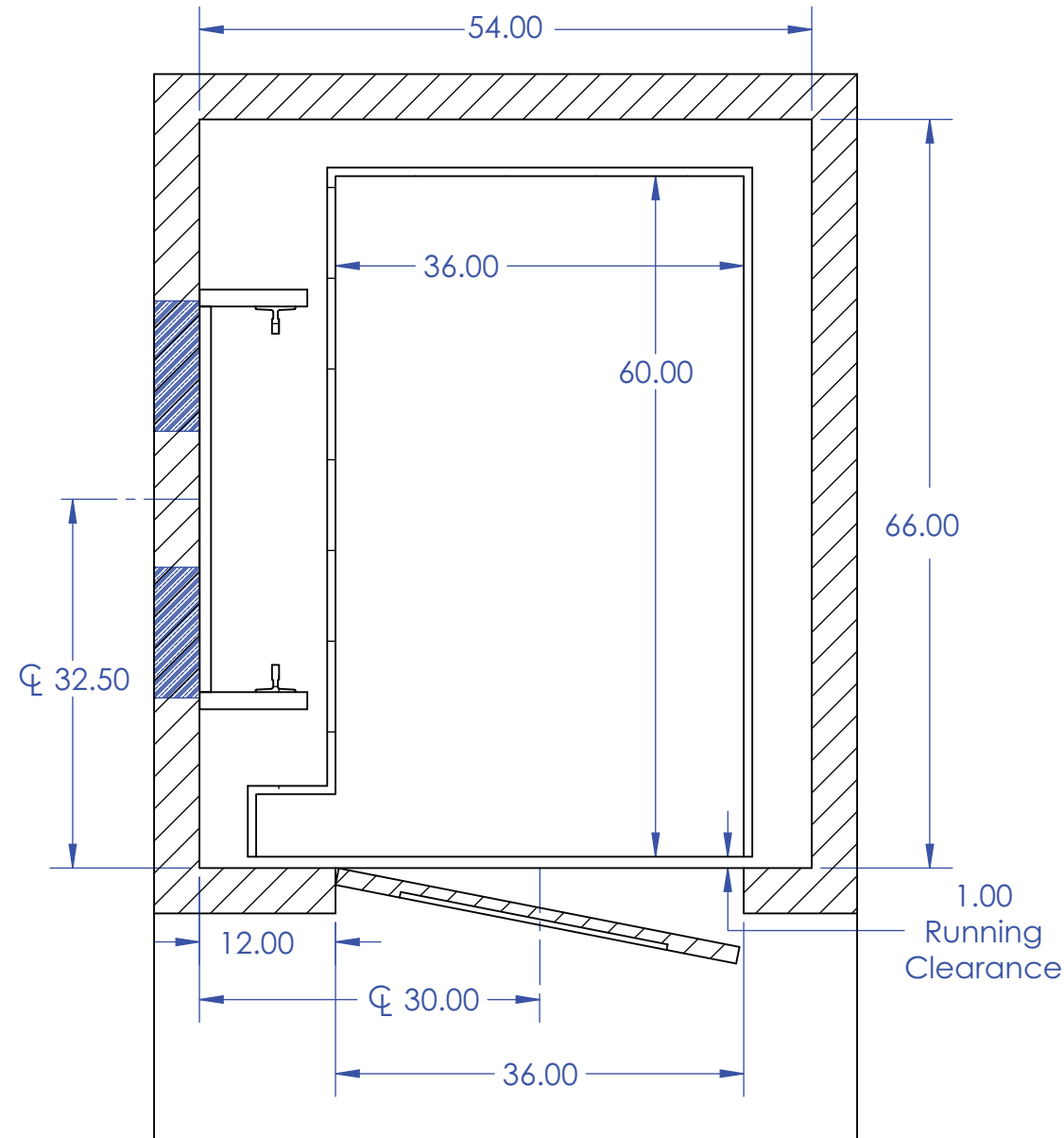
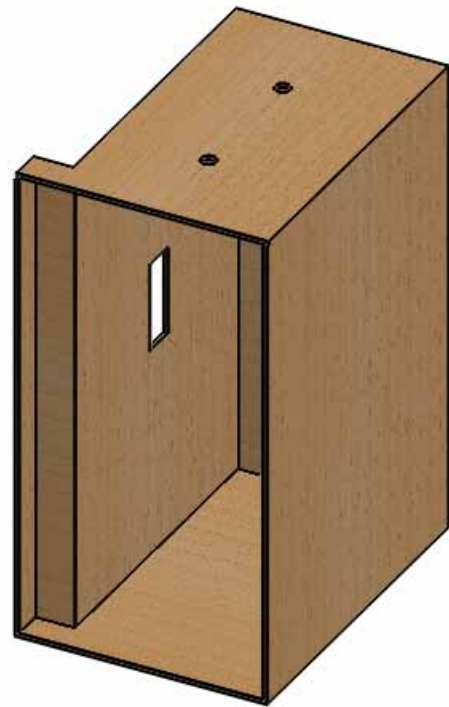
<b>DRAWING NOT TO SCALE</b>	NAME	DATE	PROJECT NAME
	Filed By		
	By signing below, you are authorizing this job to be released for production as listed.		PROJECT LOCATION
<b>PROPRIETARY AND CONFIDENTIAL</b>	Release for production		COMMENTS:
	PO#		
THE INFORMATION CONTAINED IN THIS DRAWING IS THE SOLE PROPERTY OF PRECISION LIFT INDUSTRIES, LLC. ANY REPRODUCTION IN PART OR AS A WHOLE WITHOUT THE WRITTEN PERMISSION OF PRECISION LIFT INDUSTRIES, LLC IS PROHIBITED.		SIZE DWG. NO.	REV.
		<b>3648R</b>	
SCALE 1:16		SHEET 1 OF 12	

**Standard 3660L Package Specs:**

- Rails stack on right side of elevator shaft
- 36" wide x 60" Deep Platform Size, 80" Height
- 3/4" finished floor allowance, 3/4" birch subfloor
- Aluminum platform
- 2 LED cab lights, automatic on/off
- Brushed aluminum fixtures
- Emergency Phone
- Standard Birch wall finish
- White accordion gate
- Honeywell door interlocks
- Swing doors and jambs by others.

**Available Options:**

- Clear accordion gate
- 4 LED lights
- Automatic Gate Operator
- Battery Lowering w/ Emergency Lighting
- Flush mount door jamb kit



**Elevator Shaft Requirements:**

Pit: 12"  
Width: 54" Min  
Depth: 66" Min

**Minimum Overhead Clearance:**

Cab	Overhead
80"	102"
84"	106"
95"	117"



- All swing doors must comply with ASME 17.1, National Elevator Code, 3 x 5 rule or 3/4" x 3" as required by local jurisdiction.
- Minimum shaft sizes shown.
- Consult factory for changes to door swing or offset location.
- See Rail Bracket Detail sheet for anchoring and support details.
- See Electrical Requirement sheet for electrical requirements
- All hoistway dimensions are inside finished clear dimensions.

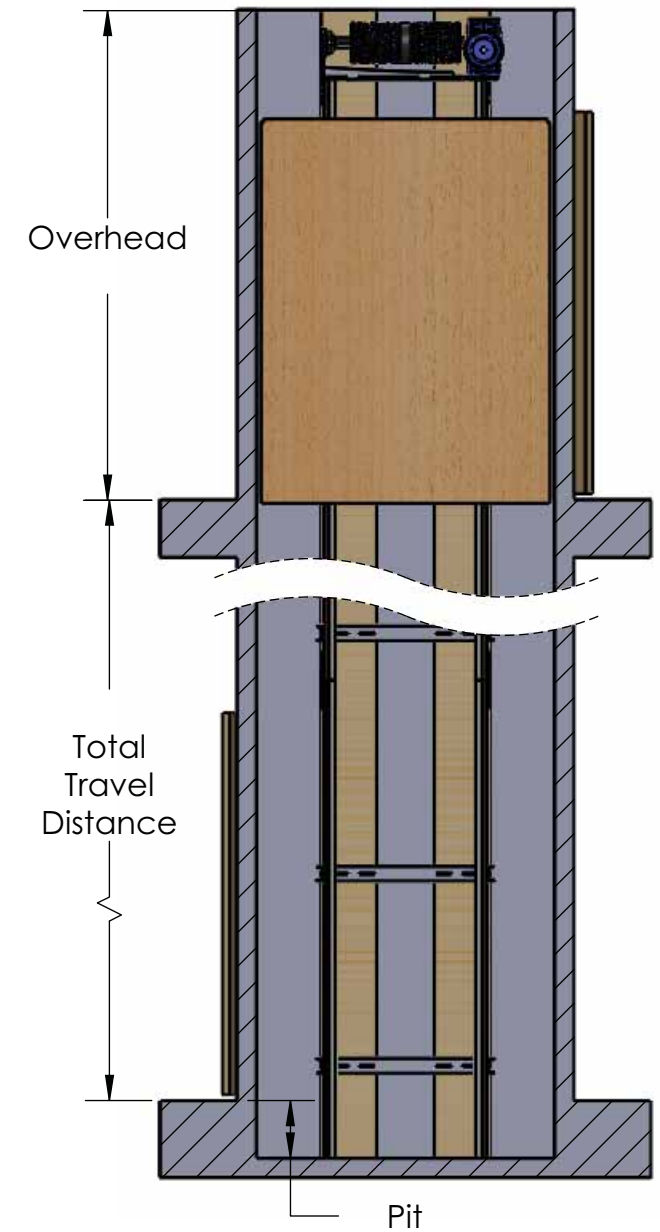
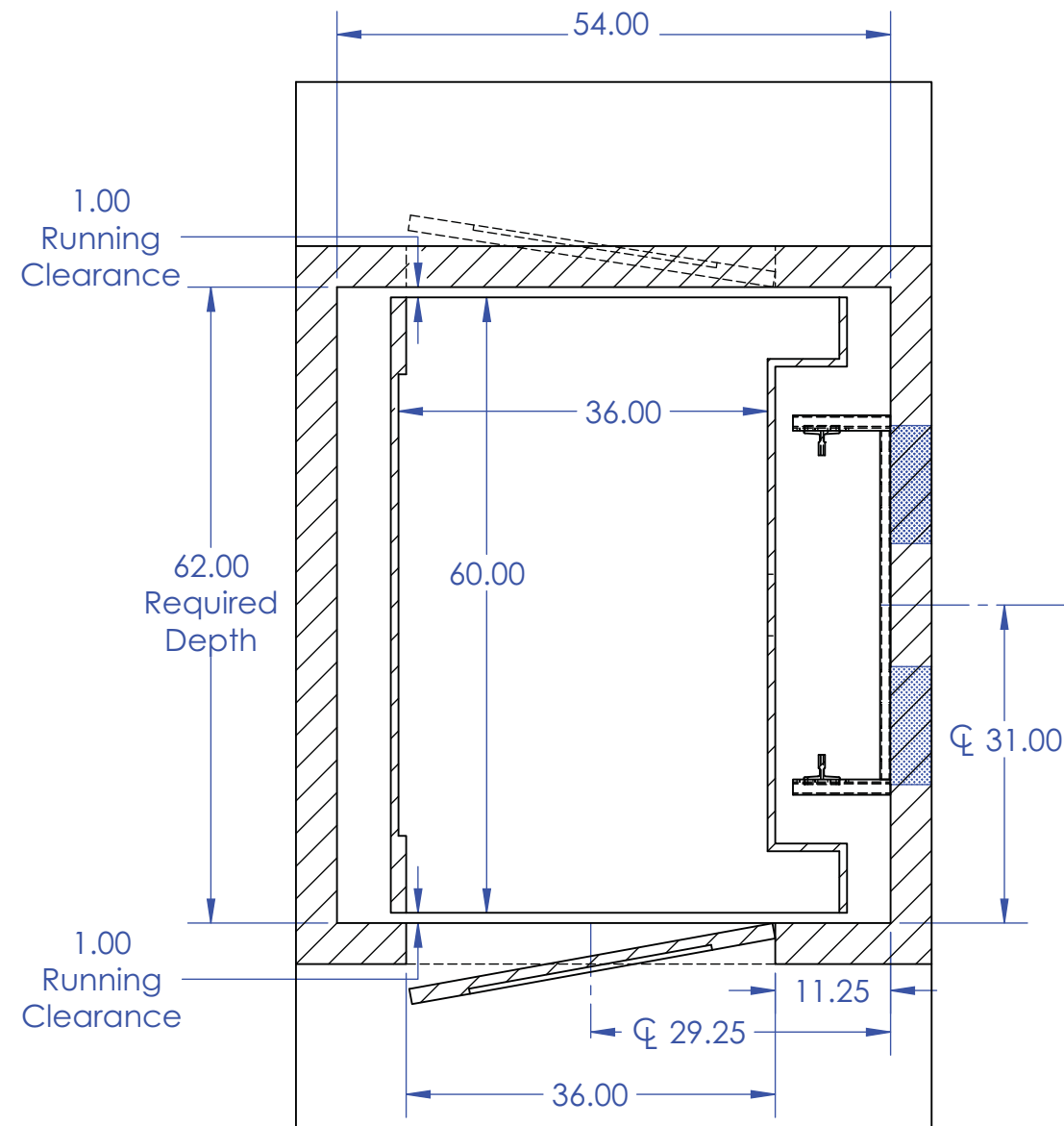
<b>DRAWING NOT TO SCALE</b>	NAME	DATE	PROJECT NAME
	Filed By		
	By signing below, you are authorizing this job to be released for production as listed.		PROJECT LOCATION
<b>PROPRIETARY AND CONFIDENTIAL</b> <small>THE INFORMATION CONTAINED IN THIS DRAWING IS THE SOLE PROPERTY OF PRECISION LIFT INDUSTRIES, LLC. ANY REPRODUCTION IN PART OR AS A WHOLE WITHOUT THE WRITTEN PERMISSION OF PRECISION LIFT INDUSTRIES, LLC IS PROHIBITED.</small>	Release for production		COMMENTS:
	PO#		
	SIZE DWG. NO.	<b>3660L</b>	REV.
SCALE 1:16			SHEET 6 OF 12

**Standard 3660PT Package Specs:**

- Rails stack on right or left side of elevator shaft
- 36" wide x 60" Deep Platform Size, 80" Height
- 3/4" finished floor allowance, 3/4" birch subfloor
- Aluminum platform
- 2 LED cab lights, automatic on/off
- Brushed aluminum fixtures
- Emergency Phone
- Standard Birch wall finish
- 2 White accordion gates
- Honeywell door interlocks
- Swing doors and jambs by others.

**Available Options:**

- 2 Clear accordion gates
- 4 LED lights
- 2 Automatic Gate Operators
- Battery Lowering w/ Emergency Lighting
- Flush mount door jamb kit



**Elevator Shaft Requirements:**

Pit: 12"  
Width: 54" Min  
Depth: 62" Required

**Minimum Overhead Clearance:**

Cab	Overhead
80"	102"
84"	106"
95"	117"



- All swing doors must comply with ASME 17.1, National Elevator Code, 3 x 5 rule or 3/4" x 3" as required by local jurisdiction.
- Minimum shaft sizes shown.
- Consult factory for changes to door swing or offset location.
- See Rail Bracket Detail sheet for anchoring and support details.
- See Electrical Requirement sheet for electrical requirements
- All hoistway dimensions are inside finished clear dimensions.

<b>DRAWING NOT TO SCALE</b>	NAME	DATE	PROJECT NAME
	Filed By		
	By signing below, you are authorizing this job to be released for production as listed.		PROJECT LOCATION
<b>PROPRIETARY AND CONFIDENTIAL</b> <small>THE INFORMATION CONTAINED IN THIS DRAWING IS THE SOLE PROPERTY OF PRECISION LIFT INDUSTRIES, LLC. ANY REPRODUCTION IN PART OR AS A WHOLE WITHOUT THE WRITTEN PERMISSION OF PRECISION LIFT INDUSTRIES, LLC IS PROHIBITED.</small>	Release for production		COMMENTS:
	PO#		
	SIZE	DWG. NO.	REV.
A	<b>3660PT</b>		
SCALE 1:16		SHEET 11 OF 12	

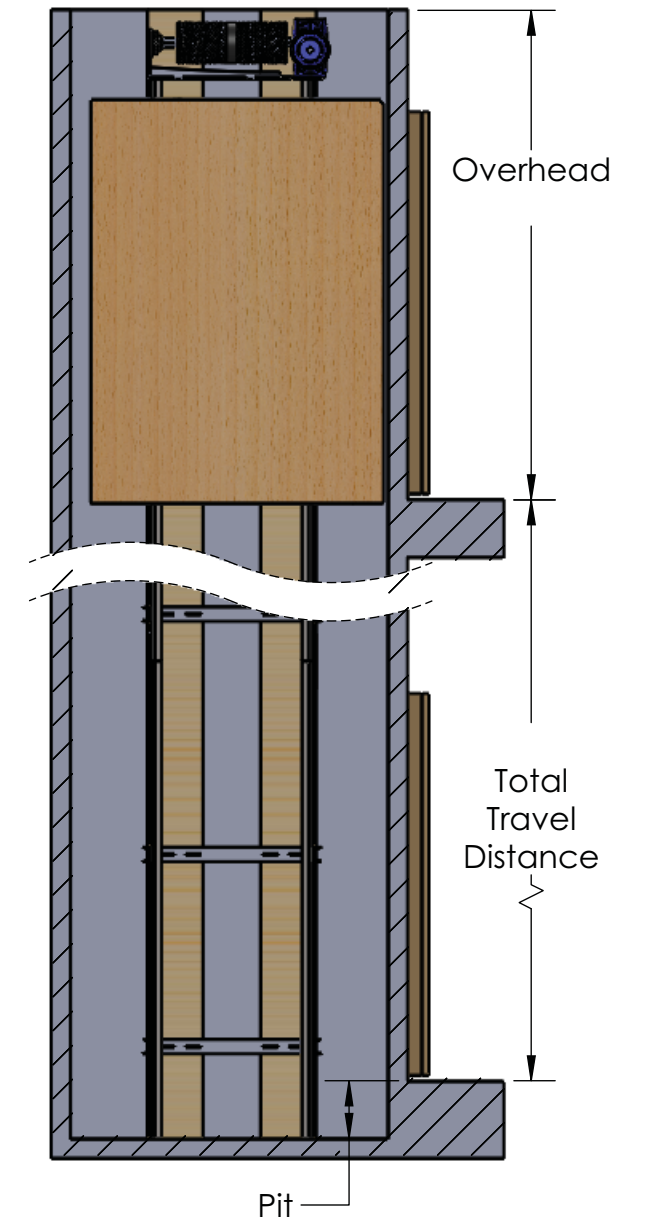
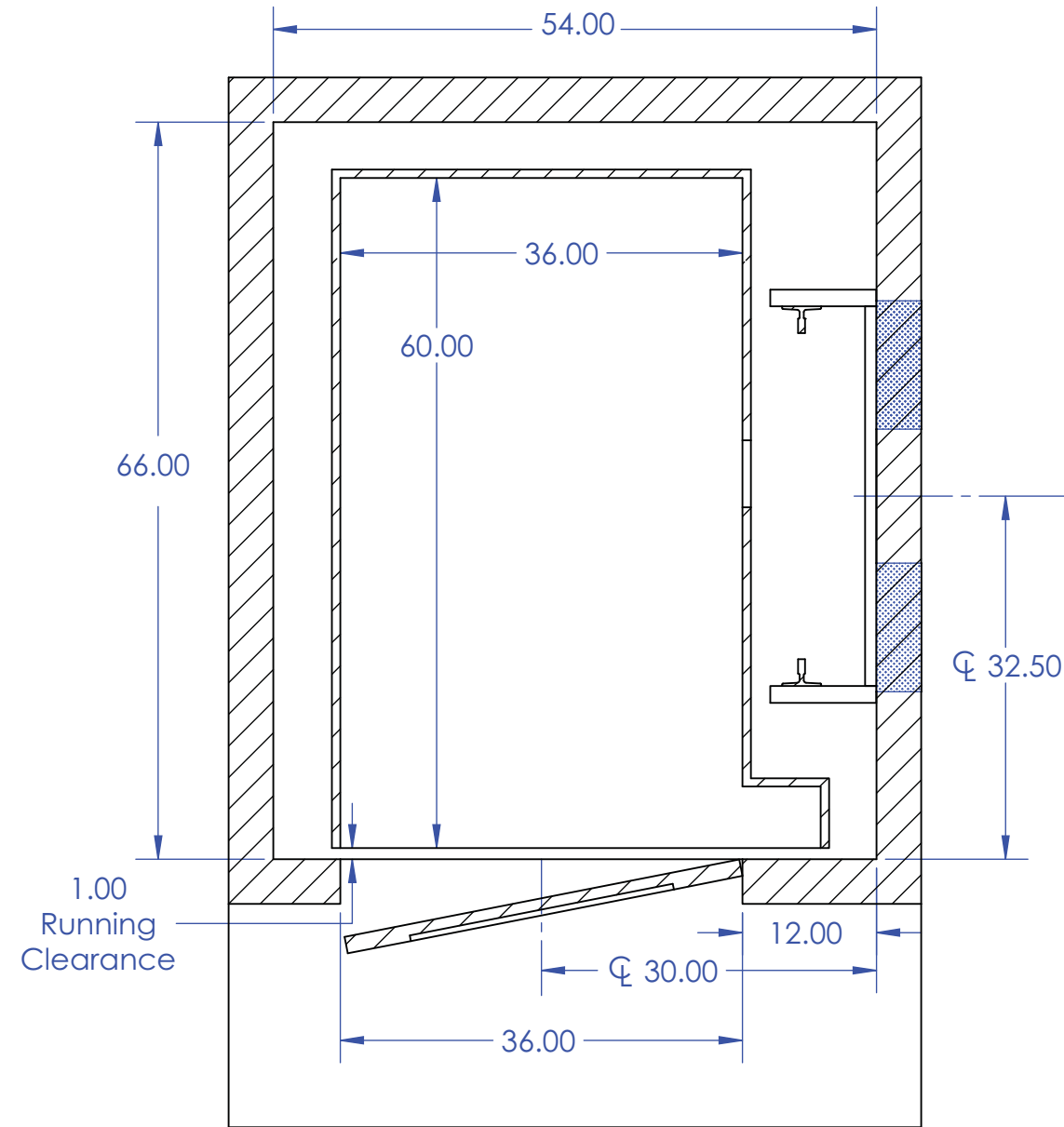


**Standard 3660R Package Specs:**

- Rails stack on right side of elevator shaft
- 36" wide x 60" Deep Platform Size, 80" Height
- 3/4" finished floor allowance, 3/4" birch subfloor
- Aluminum platform
- 2 LED cab lights, automatic on/off
- Brushed aluminum fixtures
- Emergency Phone
- Standard Birch wall finish
- White accordion gate
- Honeywell door interlocks
- Swing doors and jambs by others.

**Available Options:**

- Clear accordion gate
- 4 LED lights
- Automatic Gate Operator
- Battery Lowering w/ Emergency Lighting
- Flush mount door jamb kit



**Elevator Shaft Requirements:**

Pit: 12"  
Width: 54" Min  
Depth: 66" Min

**Minimum Overhead Clearance:**

Cab	Overhead
80"	102"
84"	106"
95"	117"



- All swing doors must comply with ASME 17.1, National Elevator Code, 3 x 5 rule or 3/4" x 3" as required by local jurisdiction.
- Minimum shaft sizes shown.
- Consult factory for changes to door swing or offset location.
- See Rail Bracket Detail sheet for anchoring and support details.
- See Electrical Requirement sheet for electrical requirements
- All hoistway dimensions are inside finished clear dimensions.

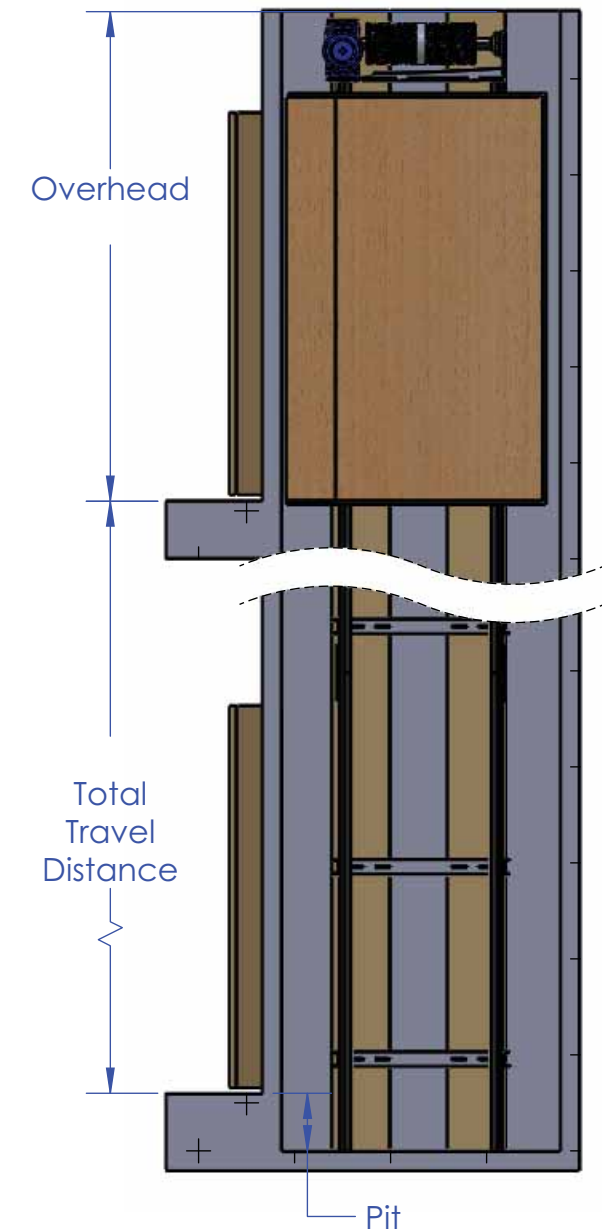
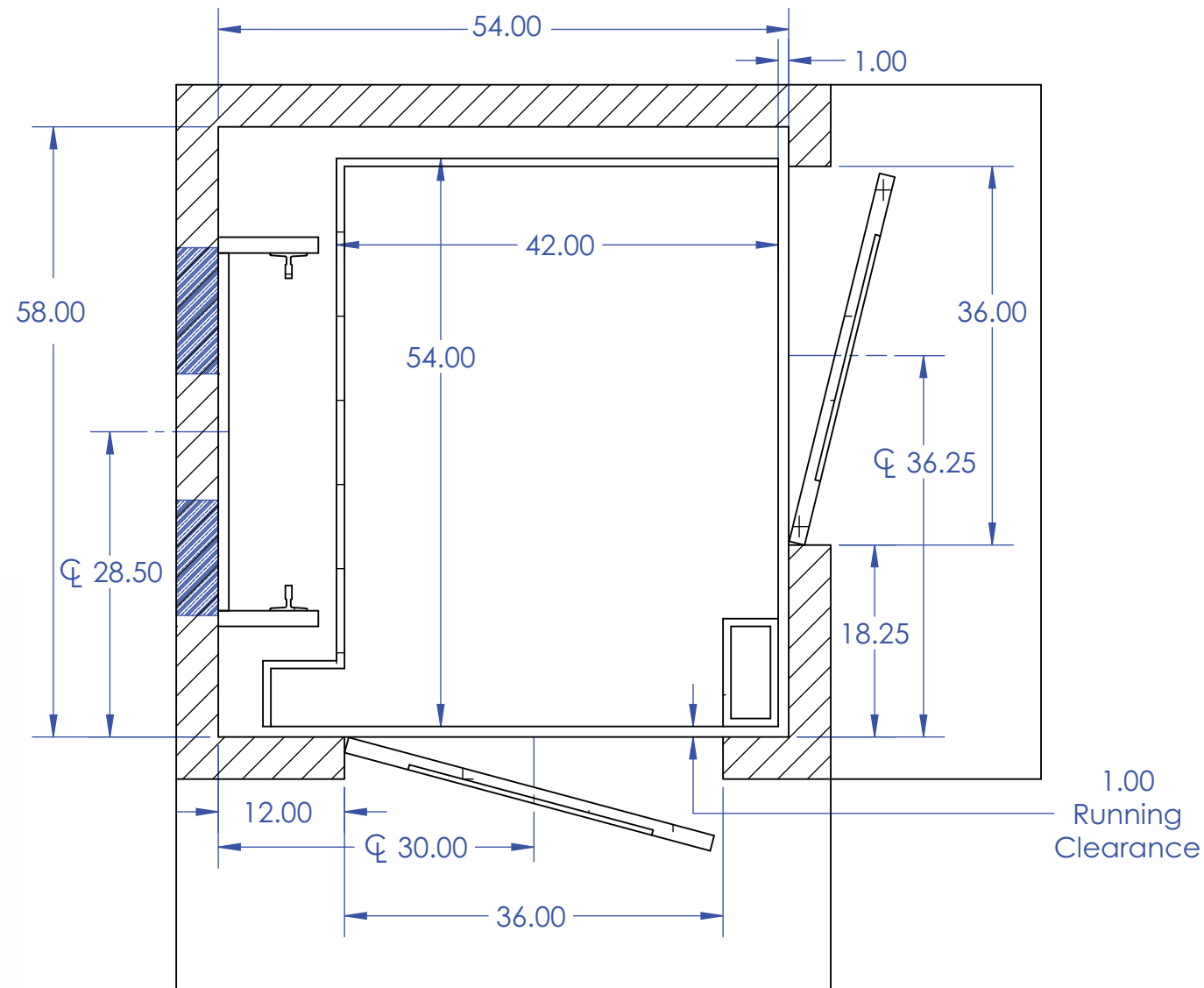
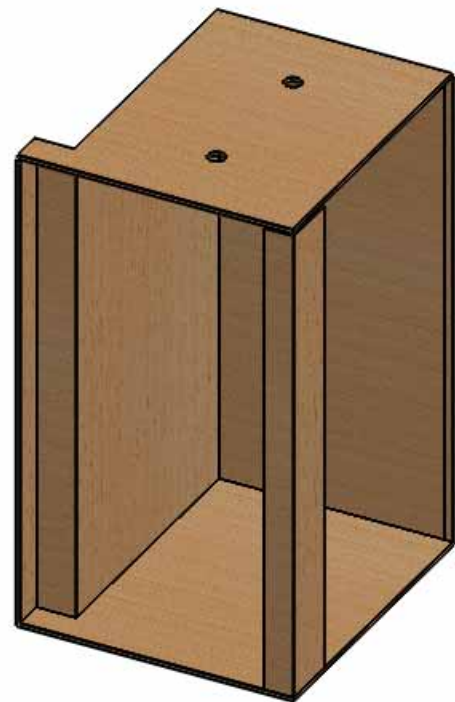
<b>DRAWING NOT TO SCALE</b>	NAME	DATE	PROJECT NAME						
	Filed By								
	By signing below, you are authorizing this job to be released for production as listed.		PROJECT LOCATION						
<b>PROPRIETARY AND CONFIDENTIAL</b>	Release for production		COMMENTS:						
	PO#								
THE INFORMATION CONTAINED IN THIS DRAWING IS THE SOLE PROPERTY OF PRECISION LIFT INDUSTRIES, LLC. ANY REPRODUCTION IN PART OR AS A WHOLE WITHOUT THE WRITTEN PERMISSION OF PRECISION LIFT INDUSTRIES, LLC IS PROHIBITED.			<table border="1"> <tr> <td>SIZE</td> <td>DWG. NO.</td> <td>REV.</td> </tr> <tr> <td>A</td> <td>3660R</td> <td></td> </tr> </table>	SIZE	DWG. NO.	REV.	A	3660R	
SIZE	DWG. NO.	REV.							
A	3660R								
SCALE 1:16			SHEET 5 OF 12						

**Standard 4254L90 Package Specs:**

- Rails stack on rear side of elevator shaft
- 42" wide x 54" Deep Platform Size, 80" Height
- 3/4" finished floor allowance, 3/4" birch subfloor
- Aluminum platform
- 2 LED cab lights, automatic on/off
- Brushed aluminum fixtures
- Emergency Phone
- Standard Birch wall finish
- 2 White accordion gates
- Honeywell door interlocks
- Swing doors and jambs by others.

**Available Options:**

- 2 Clear accordion gates
- 4 LED lights
- 2 Automatic Gate Operators
- Battery Lowering w/ Emergency Lighting
- Flush mount door jamb kit



**Elevator Shaft Requirements:**

Pit: 12"  
 Width: 54" Min 56"Max  
 Depth: 58" Min

**Minimum Overhead Clearance:**

Cab	Overhead
80"	102"
84"	106"
95"	117"



- All swing doors must comply with ASME 17.1, National Elevator Code, 3 x 5 rule or 3/4" x 3" as required by local jurisdiction.
- Minimum shaft sizes shown.
- Consult factory for changes to door swing or offset location.
- See Rail Bracket Detail sheet for anchoring and support details.
- See Electrical Requirement sheet for electrical requirements.
- All dimensions are inside clear finished dimensions.

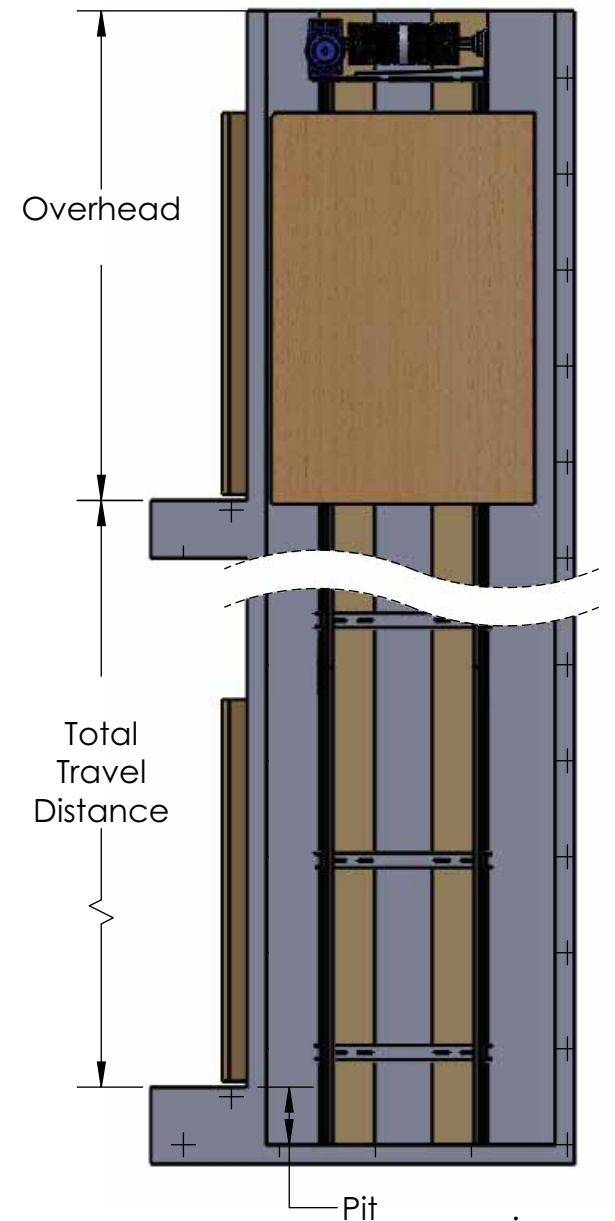
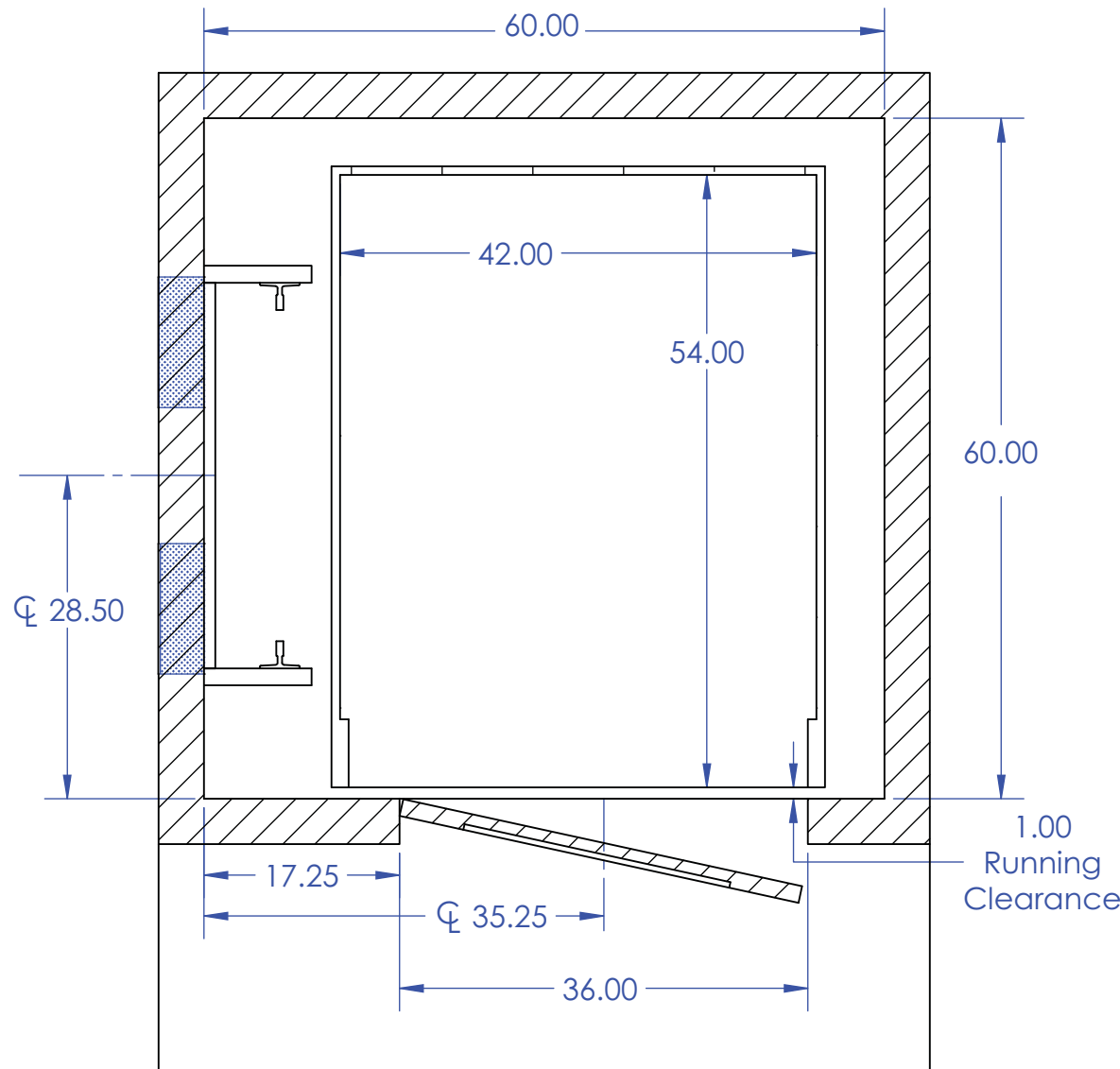
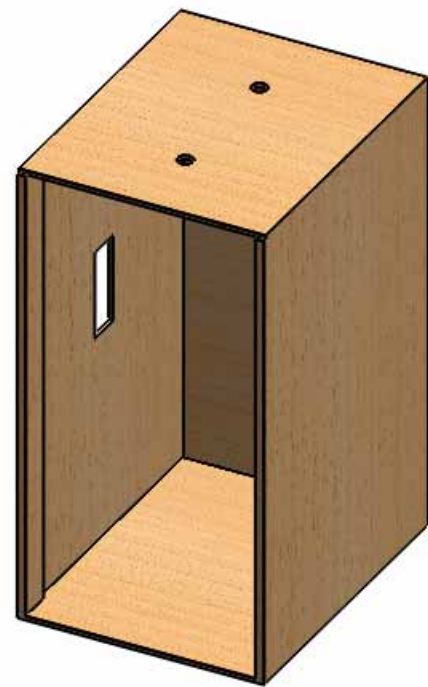
<b>DRAWING NOT TO SCALE</b>	NAME	DATE	PROJECT NAME
	Filed By		
<b>PROPRIETARY AND CONFIDENTIAL</b> <small>THE INFORMATION CONTAINED IN THIS DRAWING IS THE SOLE PROPERTY OF PRECISION LIFT INDUSTRIES, LLC. ANY REPRODUCTION IN PART OR AS A WHOLE WITHOUT THE WRITTEN PERMISSION OF PRECISION LIFT INDUSTRIES, LLC IS PROHIBITED.</small>	By signing below, you are authorizing this job to be released for production as listed.		PROJECT LOCATION
	Release for production		COMMENTS:
	PO#		
SCALE 1:16	SIZE DWG. NO. <b>4254L90</b>	REV.	
			SHEET 18 OF 2

**Standard 4254L Package Specs:**

- Rails stack on right side of elevator shaft
- 42" wide x 54" Deep Platform Size, 80" Height
- 3/4" finished floor allowance, 3/4" birch subfloor
- Aluminum platform
- 2 LED cab lights, automatic on/off
- Brushed aluminum fixtures
- Emergency Phone
- Standard Birch wall finish
- White accordion gate
- Honeywell door interlocks
- Swing doors and jambs by others.

**Available Options:**

- Clear accordion gate
- 4 LED lights
- Automatic Gate Operator
- Battery Lowering w/ Emergency Lighting
- Flush mount door jamb kit



**Elevator Shaft Requirements:**

Pit: 12"  
Width: 60" Min  
Depth: 60" Min

**Minimum Overhead Clearance:**

Cab	Overhead
80"	102"
84"	106"
95"	117"



- All swing doors must comply with ASME 17.1, National Elevator Code, 3 x 5 rule or 3/4" x 3" as required by local jurisdiction.
- Minimum shaft sizes shown.
- Consult factory for changes to door swing or offset location.
- See Rail Bracket Detail sheet for anchoring and support details.
- See Electrical Requirement sheet for electrical requirements
- All hoistway dimensions are inside finished clear dimensions.

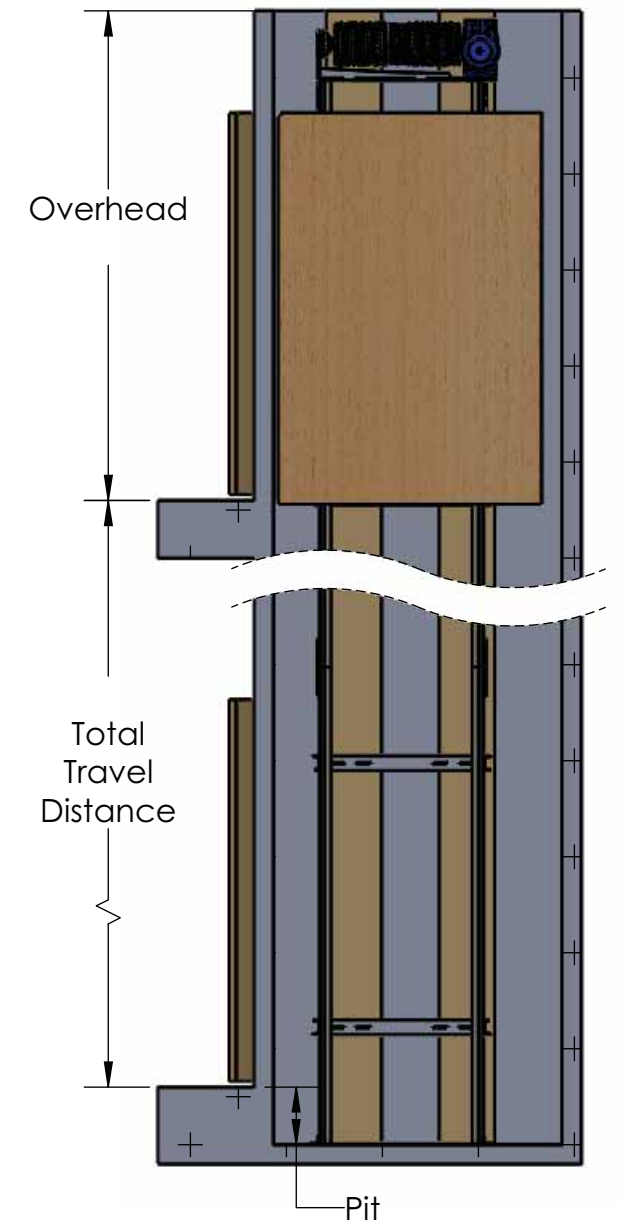
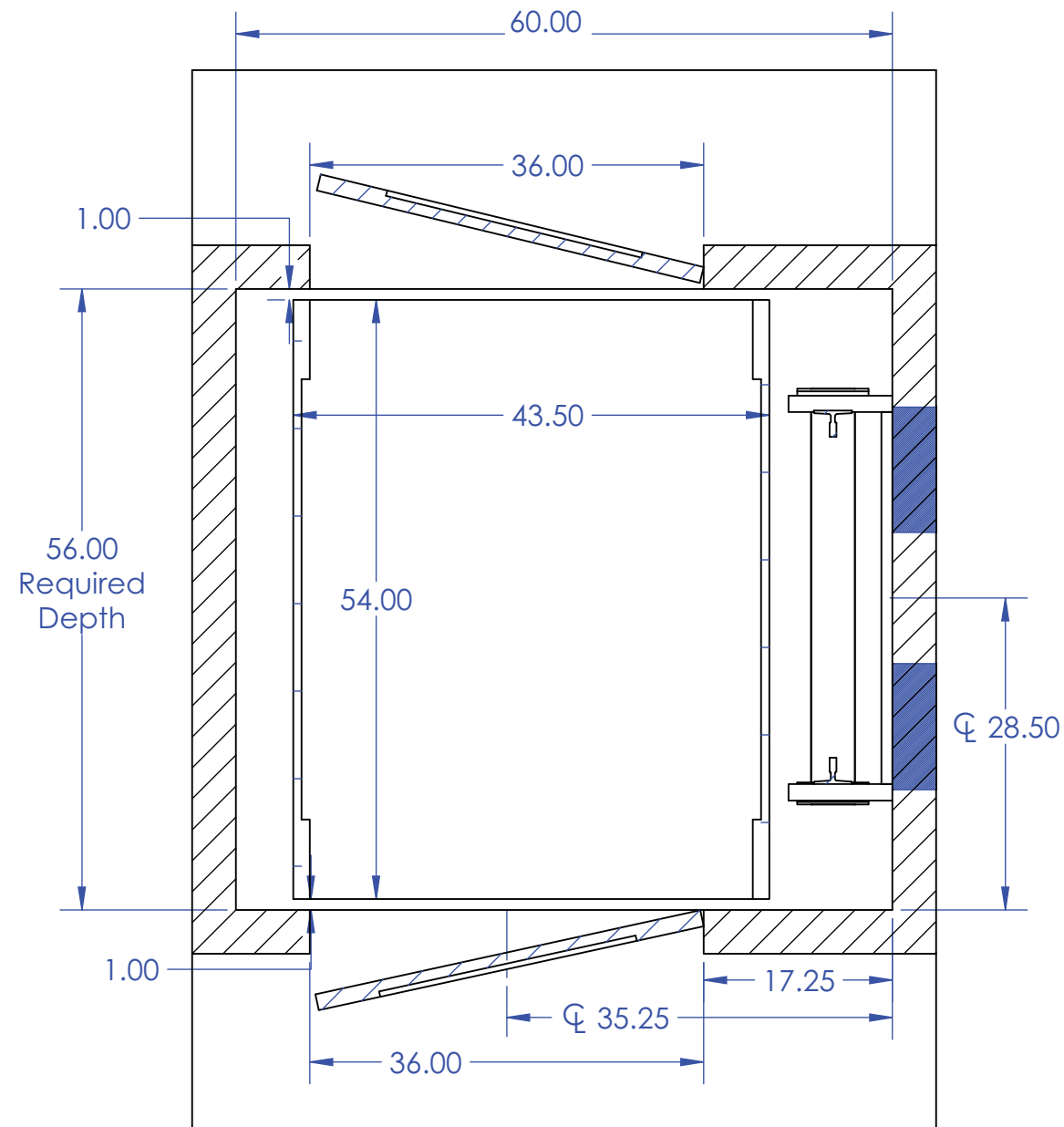
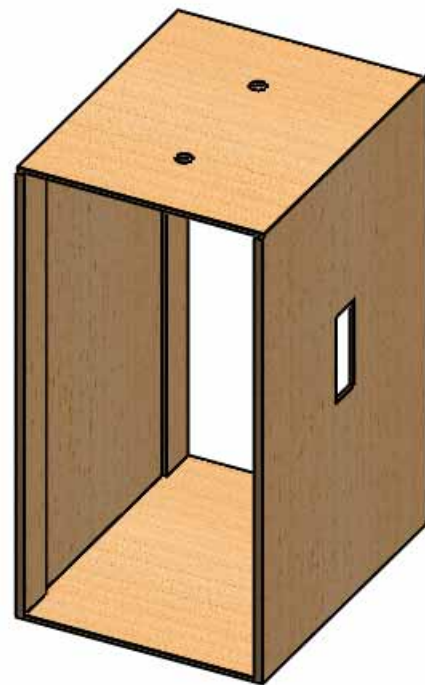
<b>DRAWING NOT TO SCALE</b>	NAME	DATE	PROJECT NAME
	Filed By		
	By signing below, you are authorizing this job to be released for production as listed.		PROJECT LOCATION
	Release for production		COMMENTS:
<b>PROPRIETARY AND CONFIDENTIAL</b> THE INFORMATION CONTAINED IN THIS DRAWING IS THE SOLE PROPERTY OF PRECISION LIFT INDUSTRIES, LLC. ANY REPRODUCTION IN PART OR AS A WHOLE WITHOUT THE WRITTEN PERMISSION OF PRECISION LIFT INDUSTRIES, LLC IS PROHIBITED.	PO#		
	SIZE	DWG. NO.	REV.
	A	<b>4254L</b>	
SCALE 1:16			SHEET 4 OF 12

**Standard 4254PT Package Specs:**

- Rails stack on right side of elevator shaft
- 42" wide x 54" Deep Platform Size, 80" Height
- 3/4" finished floor allowance, 3/4" birch subfloor
- Aluminum platform
- 2 LED cab lights, automatic on/off
- Brushed aluminum fixtures
- Emergency Phone
- Standard Birch wall finish
- White accordion gate
- Honeywell door interlocks
- Swing doors and jambs by others.

**Available Options:**

- Clear accordion gate
- 4 LED lights
- Automatic Gate Operator
- Battery Lowering w/ Emergency Lighting
- Flush mount door jamb kit



**Elevator Shaft Requirements:**

Pit: 12"  
Width: 60" Min  
Depth: 56" Required

**Minimum Overhead Clearance:**

Cab	Overhead
80"	102"
84"	106"
95"	117"



- All swing doors must comply with ASME 17.1, National Elevator Code, 3 x 5 rule or 3/4" x 3" as required by local jurisdiction.
- Minimum shaft sizes shown.
- Consult factory for changes to door swing or offset location.
- See Rail Bracket Detail sheet for anchoring and support details.
- See Electrical Requirement sheet for electrical requirements.
- All hoistway dimensions are inside finished clear dimensions.

**DRAWING NOT TO SCALE**

PROPRIETARY AND CONFIDENTIAL

THE INFORMATION CONTAINED IN THIS DRAWING IS THE SOLE PROPERTY OF PRECISION LIFT INDUSTRIES, LLC. ANY REPRODUCTION IN PART OR AS A WHOLE WITHOUT THE WRITTEN PERMISSION OF PRECISION LIFT INDUSTRIES, LLC IS PROHIBITED.

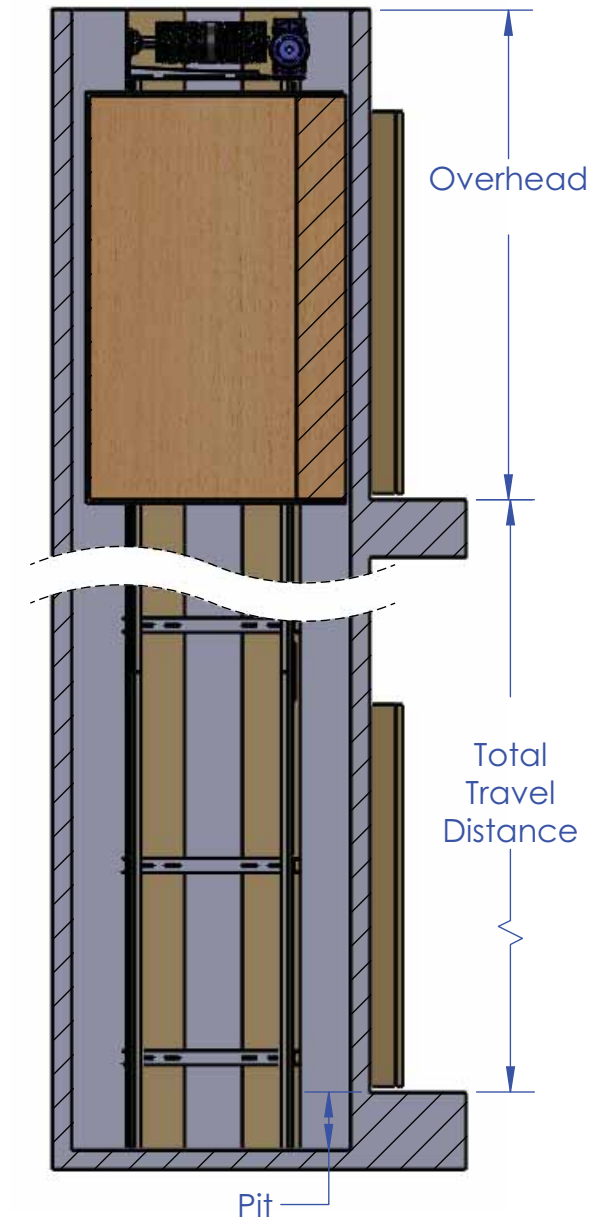
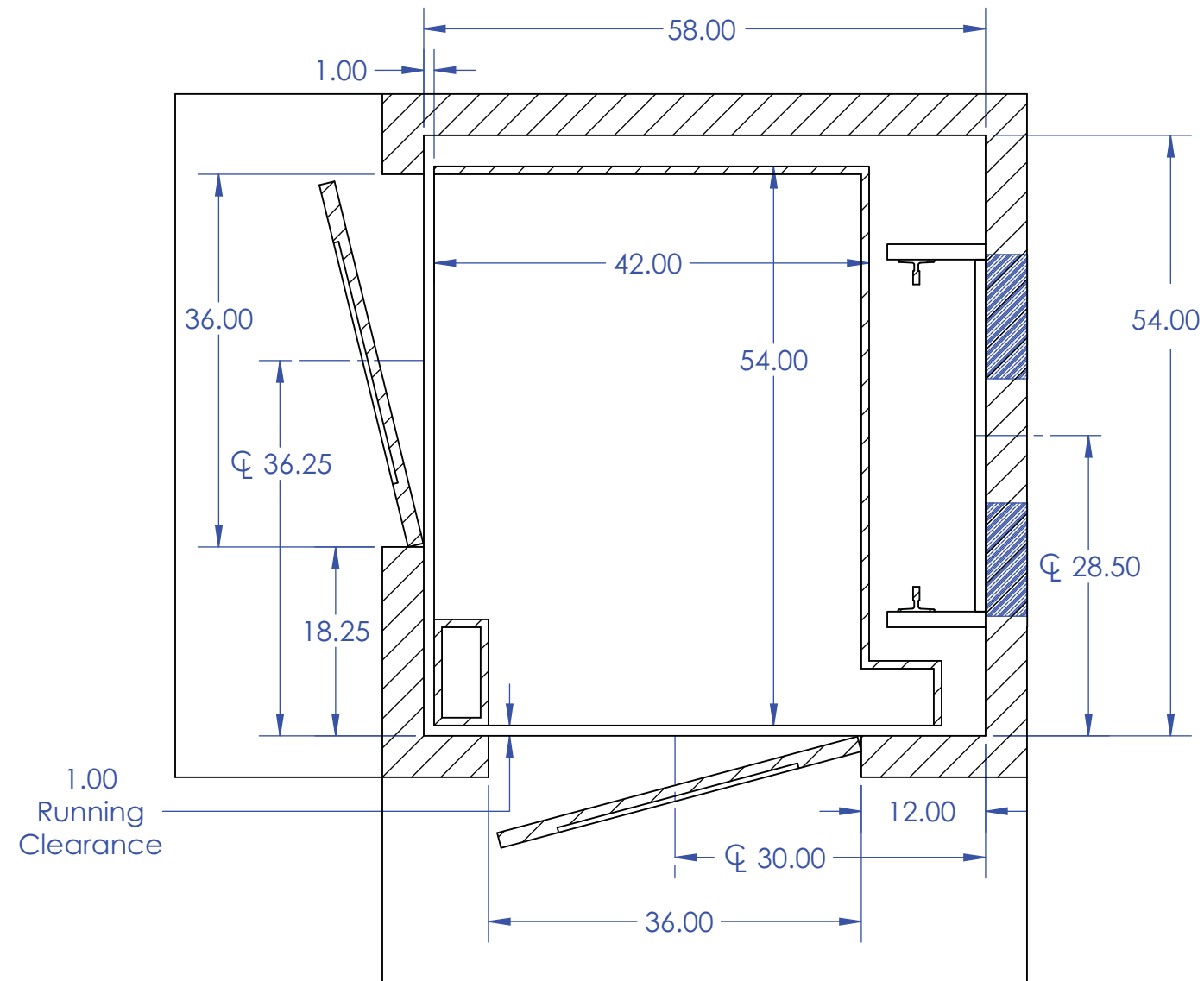
NAME	DATE	PROJECT NAME
Filed By		
By signing below, you are authorizing this job to be released for production as listed.		PROJECT LOCATION
Release for production		COMMENTS:
PO#		
SIZE	DWG. NO.	REV.
A	4254PT	
SCALE 1:16		SHEET 1 OF 2

**Standard 4254R90 Package Specs:**

- Rails stack on rear side of elevator shaft
- 42" wide x 54" Deep Platform Size, 80" Height
- 3/4" finished floor allowance, 3/4" birch subfloor
- Aluminum platform
- 2 LED cab lights, automatic on/off
- Brushed aluminum fixtures
- Emergency Phone
- Standard Birch wall finish
- 2 White accordion gates
- Honeywell door interlocks
- Swing doors and jambs by others.

**Available Options:**

- 2 Clear accordion gates
- 4 LED lights
- 2 Automatic Gate Operators
- Battery Lowering w/ Emergency Lighting
- Flush mount door jamb kit



**Elevator Shaft Requirements:**

Pit: 12"  
 Width: 54" Min 56"Max  
 Depth: 58" Min

**Minimum Overhead Clearance:**

Cab	Overhead
80"	102"
84"	106"
95"	117"



- All swing doors must comply with ASME 17.1, National Elevator Code, 3 x 5 rule or 3/4" x 3" as required by local jurisdiction.
- Minimum shaft sizes shown.
- Consult factory for changes to door swing or offset location.
- See Rail Bracket Detail sheet for anchoring and support details.
- See Electrical Requirement sheet for electrical requirements.
- All dimensions are inside clear finished dimensions.

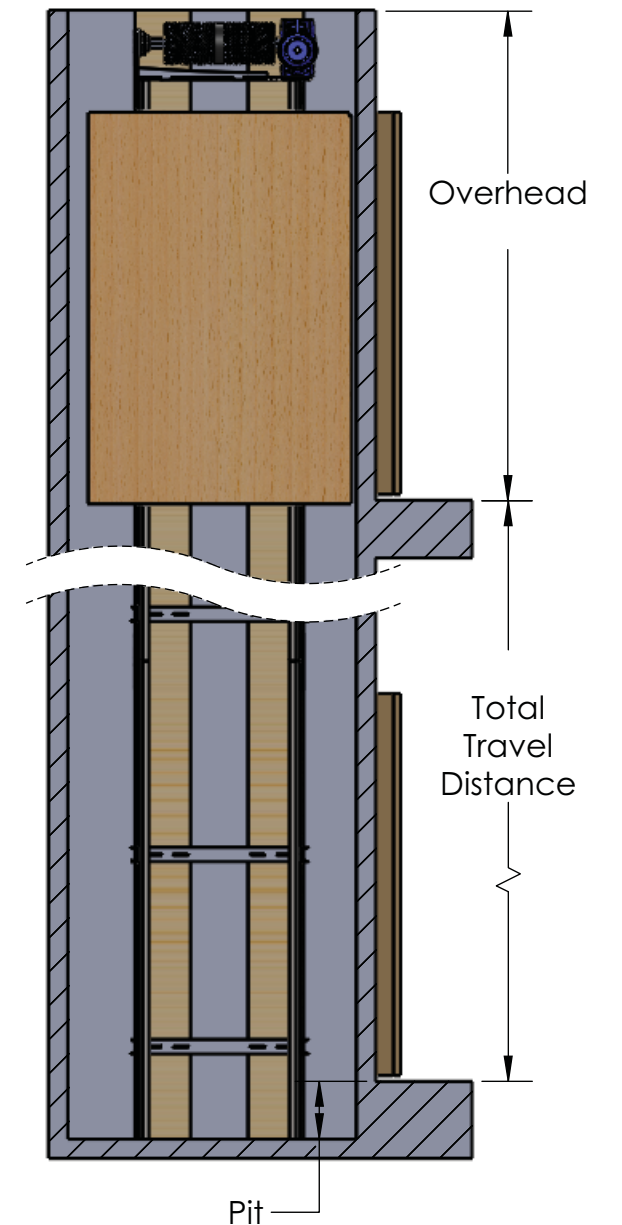
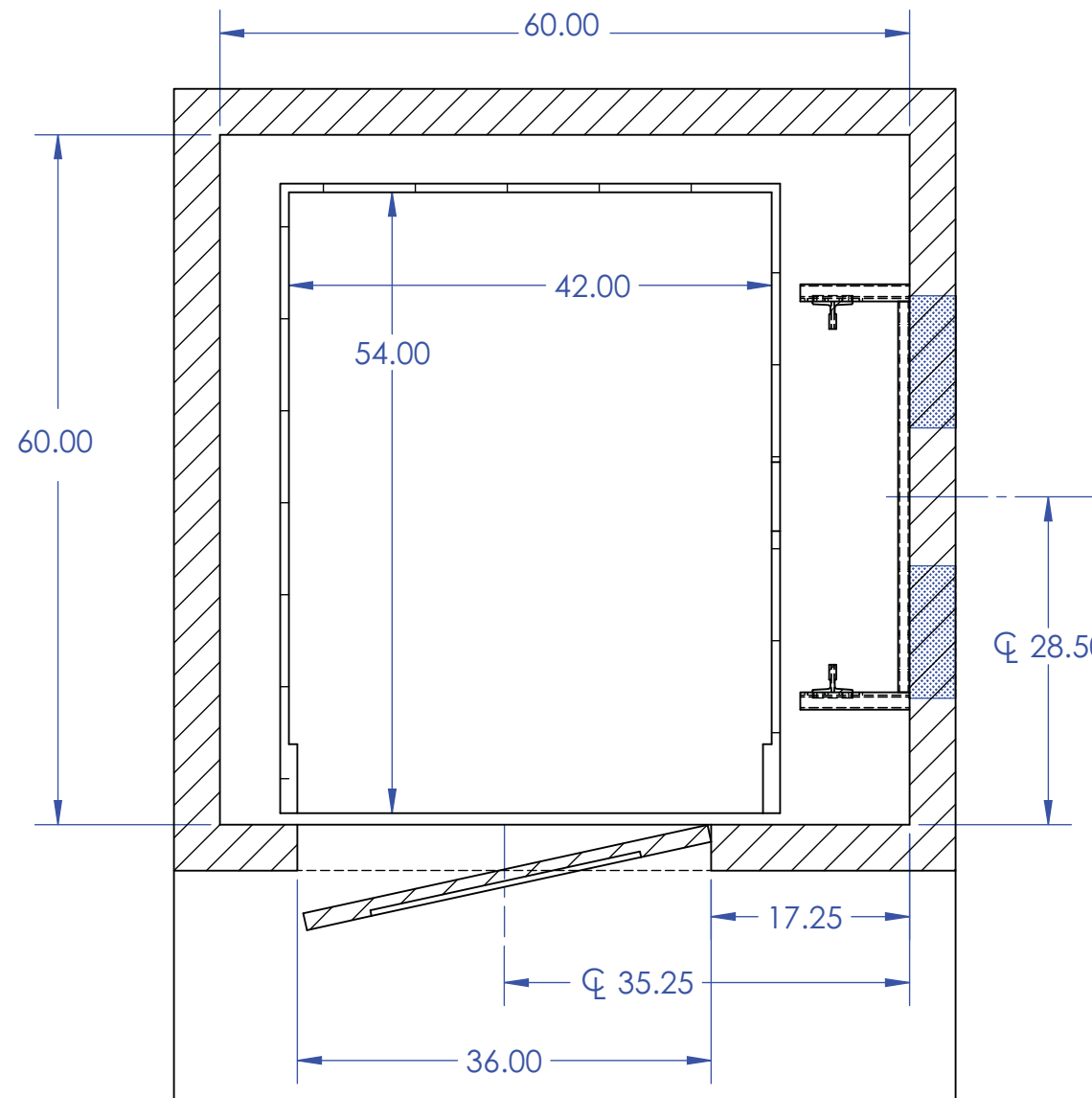
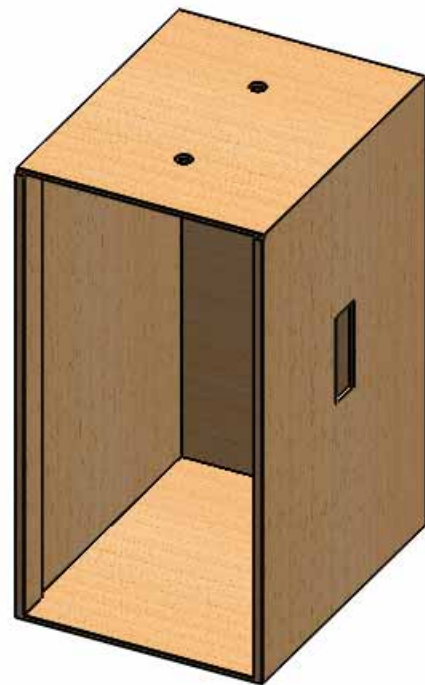
<b>DRAWING NOT TO SCALE</b>	NAME	DATE	PROJECT NAME
	Filed By		
<b>PROPRIETARY AND CONFIDENTIAL</b> THE INFORMATION CONTAINED IN THIS DRAWING IS THE SOLE PROPERTY OF PRECISION LIFT INDUSTRIES, LLC. ANY REPRODUCTION IN PART OR AS A WHOLE WITHOUT THE WRITTEN PERMISSION OF PRECISION LIFT INDUSTRIES, LLC IS PROHIBITED.	By signing below, you are authorizing this job to be released for production as listed.		PROJECT LOCATION
	Release for production		COMMENTS:
	PO#		
SCALE 1:16	SIZE DWG. NO. <b>4254R90</b>	REV.	
			SHEET 17 OF 2

**Standard 4254R Package Specs:**

- Rails stack on right side of elevator shaft
- 42" wide x 54" Deep Platform Size, 80" Height
- 3/4" finished floor allowance, 3/4" birch subfloor
- Aluminum platform
- 2 LED cab lights, automatic on/off
- Brushed aluminum fixtures
- Emergency Phone
- Standard Birch wall finish
- White accordion gate
- Honeywell door interlocks
- Swing doors and jambs by others.

**Available Options:**

- Clear accordion gate
- 4 LED lights
- Automatic Gate Operator
- Battery Lowering w/ Emergency Lighting
- Flush mount door jamb kit



**Elevator Shaft Requirements:**

Pit: 12"  
Width: 60" Min  
Depth: 60" Min

**Minimum Overhead Clearance:**

Cab	Overhead
80"	102"
84"	106"
95"	117"



- All swing doors must comply with ASME 17.1, National Elevator Code, 3 x 5 rule or 3/4" x 3" as required by local jurisdiction.
- Minimum shaft sizes shown.
- Consult factory for changes to door swing or offset location.
- See Rail Bracket Detail sheet for anchoring and support details.
- See Electrical Requirement sheet for electrical requirements
- All hoistway dimensions are inside finished clear dimensions.

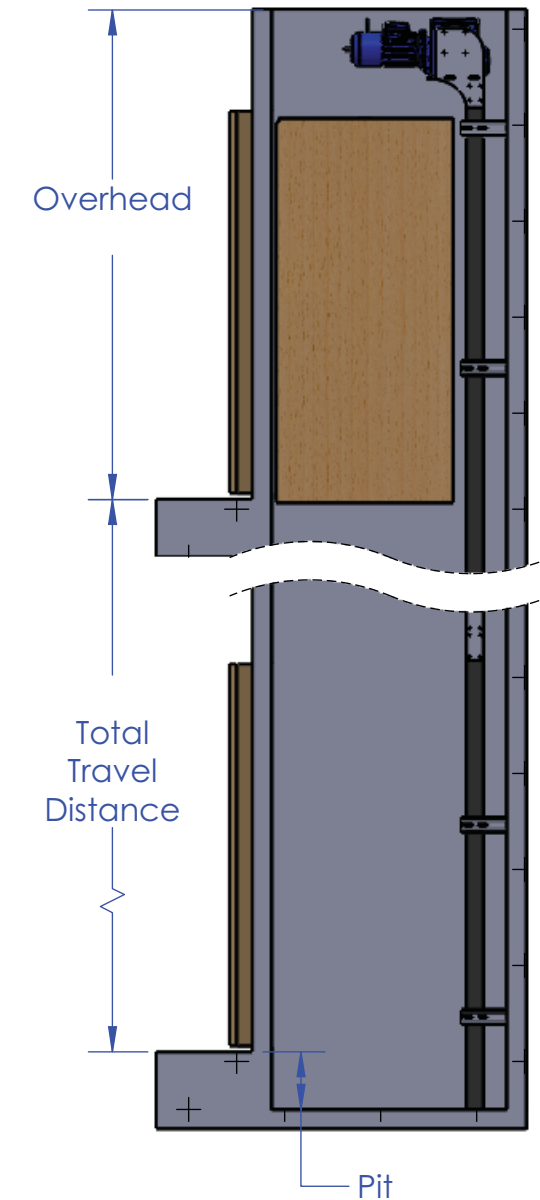
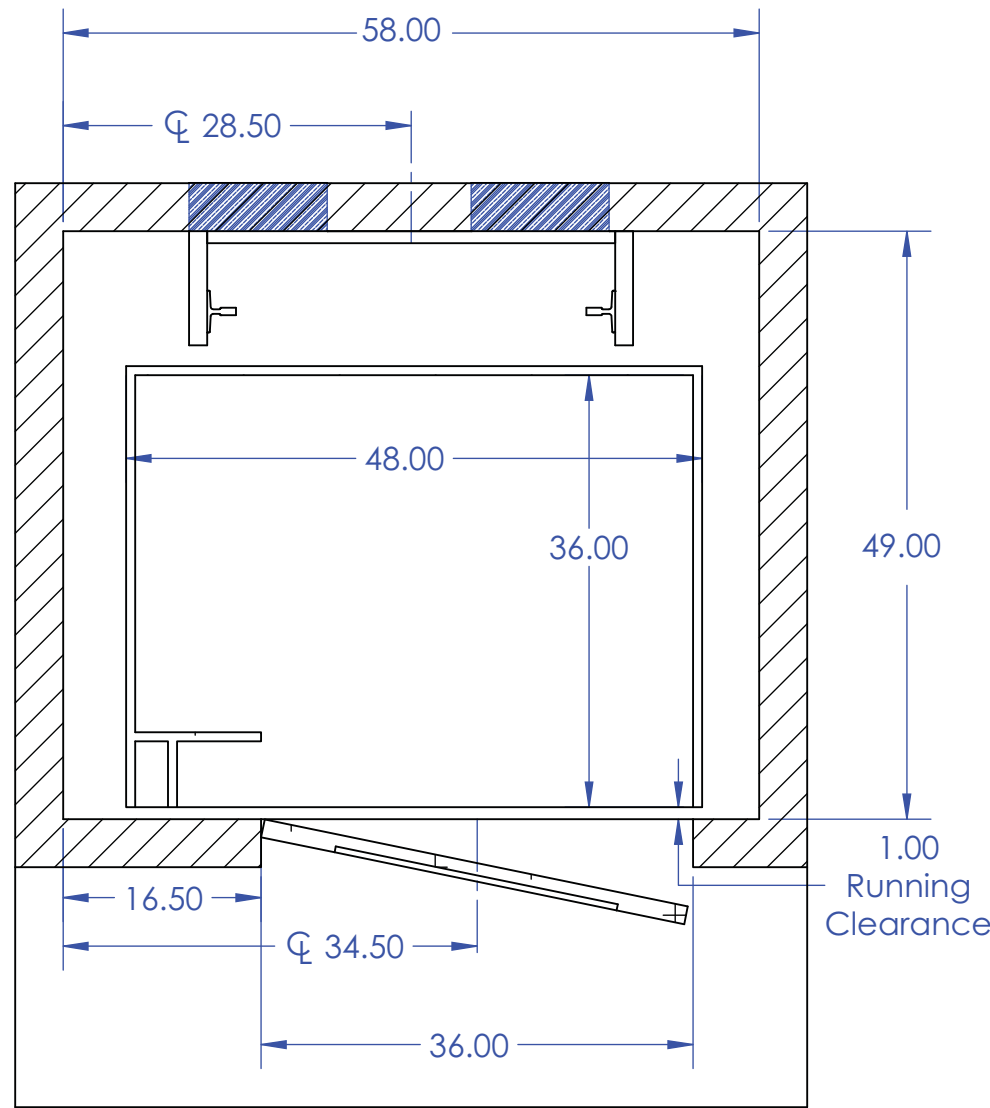
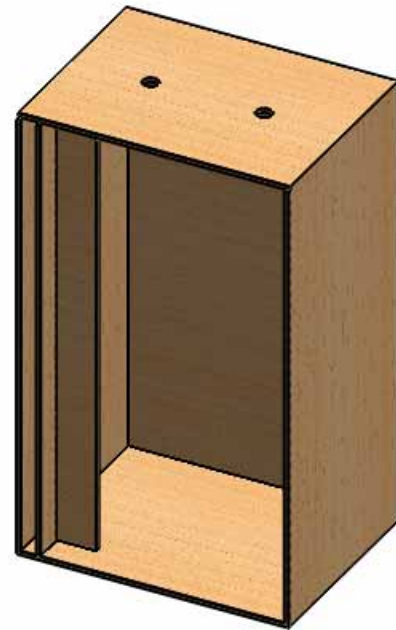
<b>DRAWING NOT TO SCALE</b>	NAME	DATE	PROJECT NAME
	Filed By		
	By signing below, you are authorizing this job to be released for production as listed.		PROJECT LOCATION
<b>PROPRIETARY AND CONFIDENTIAL</b> <small>THE INFORMATION CONTAINED IN THIS DRAWING IS THE SOLE PROPERTY OF PRECISION LIFT INDUSTRIES, LLC. ANY REPRODUCTION IN PART OR AS A WHOLE WITHOUT THE WRITTEN PERMISSION OF PRECISION LIFT INDUSTRIES, LLC IS PROHIBITED.</small>	Release for production		COMMENTS:
	PO#		
	SIZE	DWG. NO.	REV.
A	<b>4254R</b>		
SCALE 1:16		SHEET 3 OF 12	

**Standard 4836L Package Specs:**

- Rails stack on rear side of elevator shaft
- 48" wide x 36" Deep Platform Size, 80" Height
- 3/4" finished floor allowance, 3/4" birch subfloor
- Aluminum platform
- 2 LED cab lights, automatic on/off
- Brushed aluminum fixtures
- Emergency Phone
- Standard Birch wall finish
- White accordion gate
- Honeywell door interlocks
- Swing doors and jambs by others.

**Available Options:**

- Clear accordion gate
- 4 LED lights
- Automatic Gate Operator
- Battery Lowering w/ Emergency Lighting
- Flush mount door jamb kit



**Elevator Shaft Requirements:**

Pit: 12"  
 Width: 58" Min  
 Depth: 49" Min 51" Max

**Minimum Overhead Clearance:**

Cab	Overhead
80"	102"
84"	106"
95"	117"



- All swing doors must comply with ASME 17.1, National Elevator Code, 3 x 5 rule or 3/4" x 3" as required by local jurisdiction.
- Minimum shaft sizes shown.
- Consult factory for changes to door swing or offset location.
- See Rail Bracket Detail sheet for anchoring and support details.
- See Electrical Requirement sheet for electrical requirements.
- All dimensions are inside clear finished dimensions.

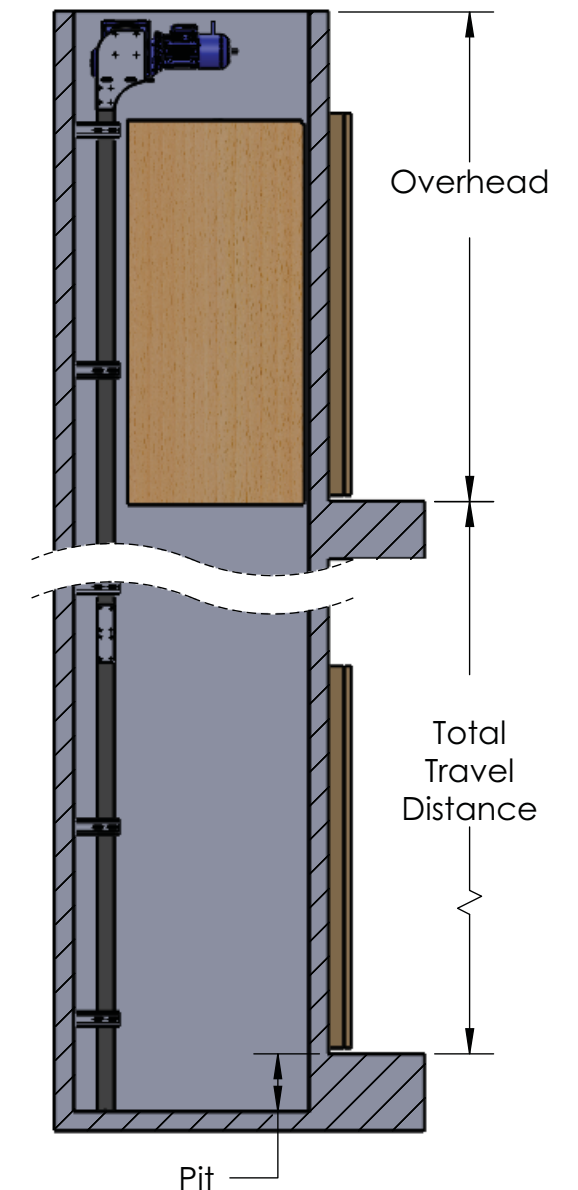
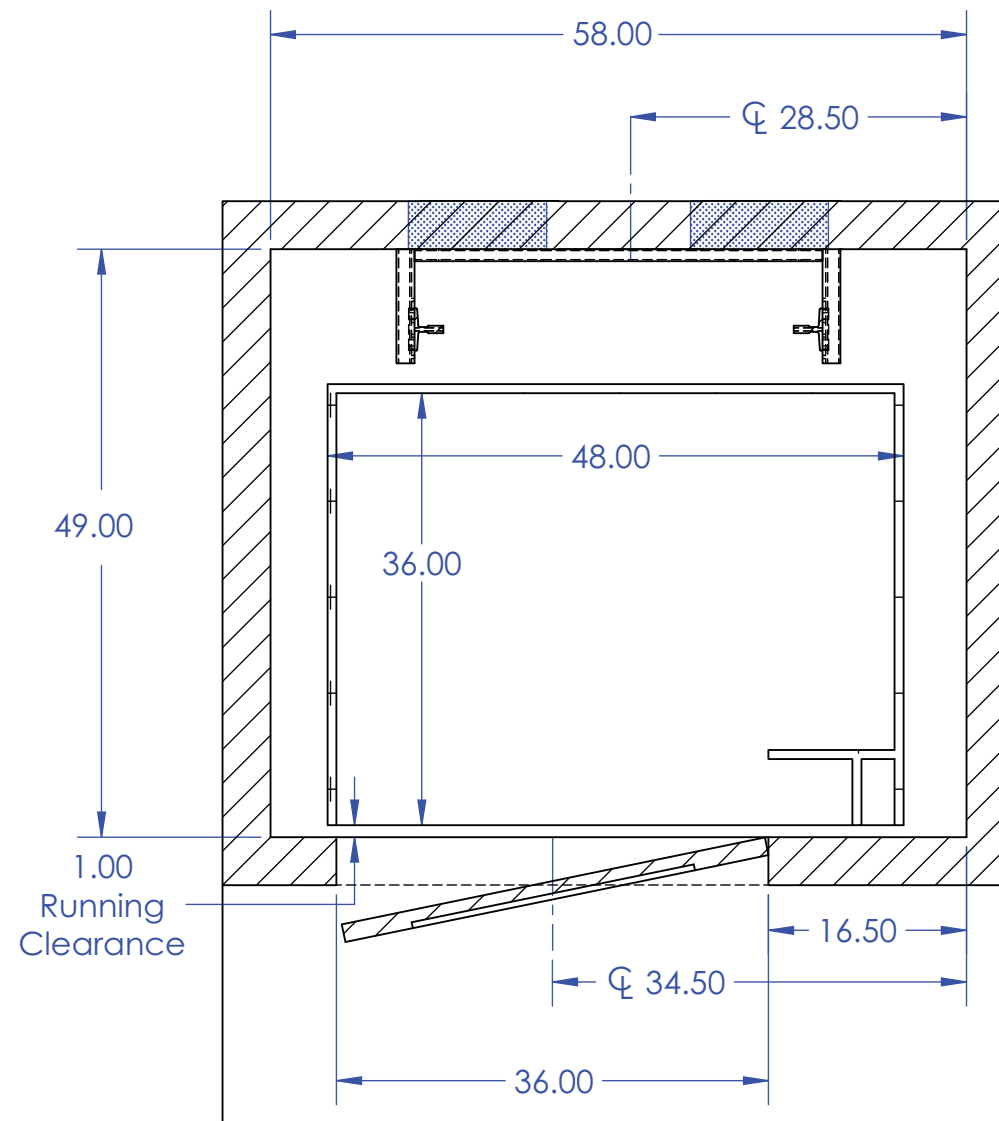
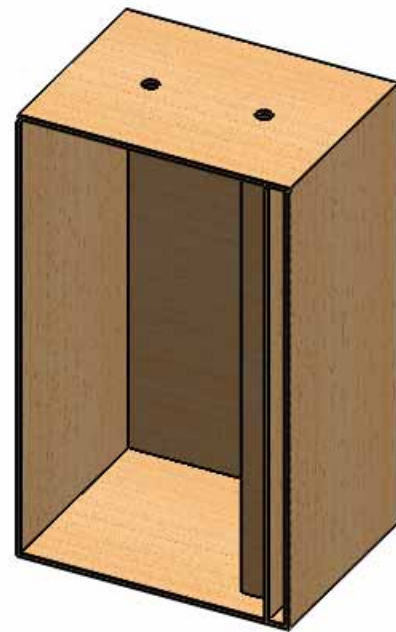
<b>DRAWING NOT TO SCALE</b>	NAME	DATE	PROJECT NAME
	Filed By		
<b>PROPRIETARY AND CONFIDENTIAL</b> <small>THE INFORMATION CONTAINED IN THIS DRAWING IS THE SOLE PROPERTY OF PRECISION LIFT INDUSTRIES, LLC. ANY REPRODUCTION IN PART OR AS A WHOLE WITHOUT THE WRITTEN PERMISSION OF PRECISION LIFT INDUSTRIES, LLC IS PROHIBITED.</small>	By signing below, you are authorizing this job to be released for production as listed.		PROJECT LOCATION
	Release for production		COMMENTS:
	PO#		
SCALE 1:16	SIZE DWG. NO. <b>4836L</b>	REV.	SHEET 14 OF 2

**Standard 4836R Package Specs:**

- Rails stack on rear side of elevator shaft
- 48" wide x 36" Deep Platform Size, 80" Height
- 3/4" finished floor allowance, 3/4" birch subfloor
- Aluminum platform
- 2 LED cab lights, automatic on/off
- Brushed aluminum fixtures
- Emergency Phone
- Standard Birch wall finish
- White accordion gate
- Honeywell door interlocks
- Swing doors and jambs by others.

**Available Options:**

- Clear accordion gate
- 4 LED lights
- Automatic Gate Operator
- Battery Lowering w/ Emergency Lighting
- Flush mount door jamb kit



**Elevator Shaft Requirements:**

Pit: 12"  
 Width: 58" Min  
 Depth: 49" Min 51" Max

**Minimum Overhead Clearance:**

Cab	Overhead
80"	102"
84"	106"
95"	117"



- All swing doors must comply with ASME 17.1, National Elevator Code, 3 x 5 rule or 3/4" x 3" as required by local jurisdiction.
- Minimum shaft sizes shown.
- Consult factory for changes to door swing or offset location.
- See Rail Bracket Detail sheet for anchoring and support details.
- See Electrical Requirement sheet for electrical requirements.
- All dimensions are inside clear finished dimensions.

<b>DRAWING NOT TO SCALE</b>	NAME	DATE	PROJECT NAME
	Filed By		
	By signing below, you are authorizing this job to be released for production as listed.		PROJECT LOCATION
	Release for production		COMMENTS:
<b>PROPRIETARY AND CONFIDENTIAL</b> THE INFORMATION CONTAINED IN THIS DRAWING IS THE SOLE PROPERTY OF PRECISION LIFT INDUSTRIES, LLC. ANY REPRODUCTION IN PART OR AS A WHOLE WITHOUT THE WRITTEN PERMISSION OF PRECISION LIFT INDUSTRIES, LLC IS PROHIBITED.	PO#		
	SIZE	DWG. NO.	REV.
	A	<b>4836R</b>	
SCALE 1:16			SHEET 13 OF 2

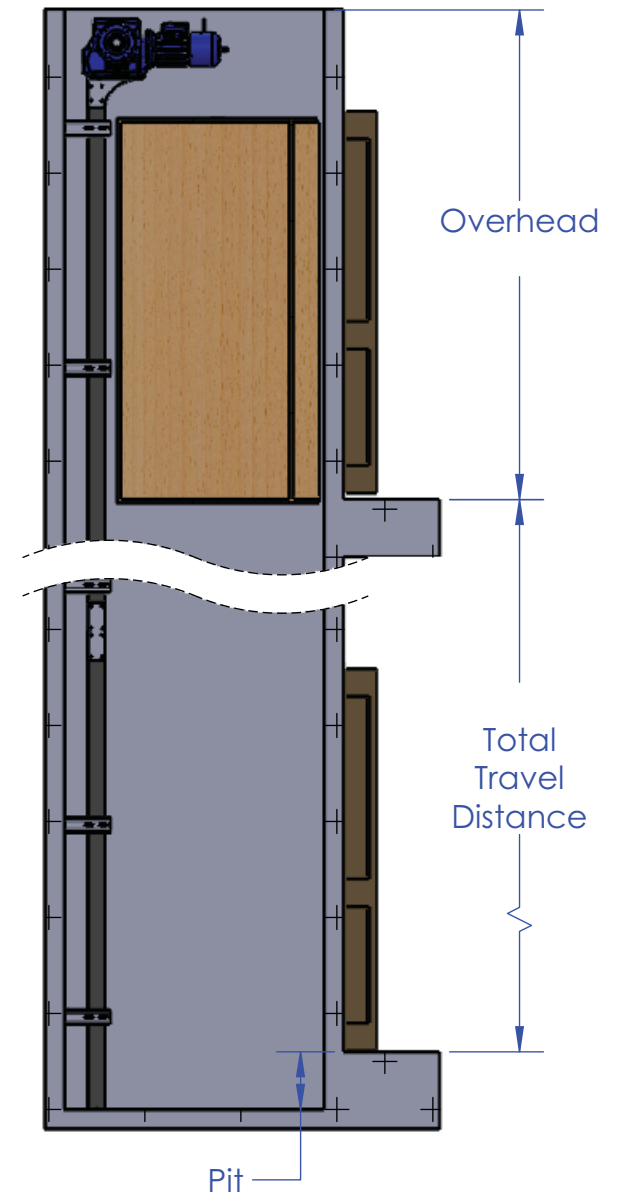
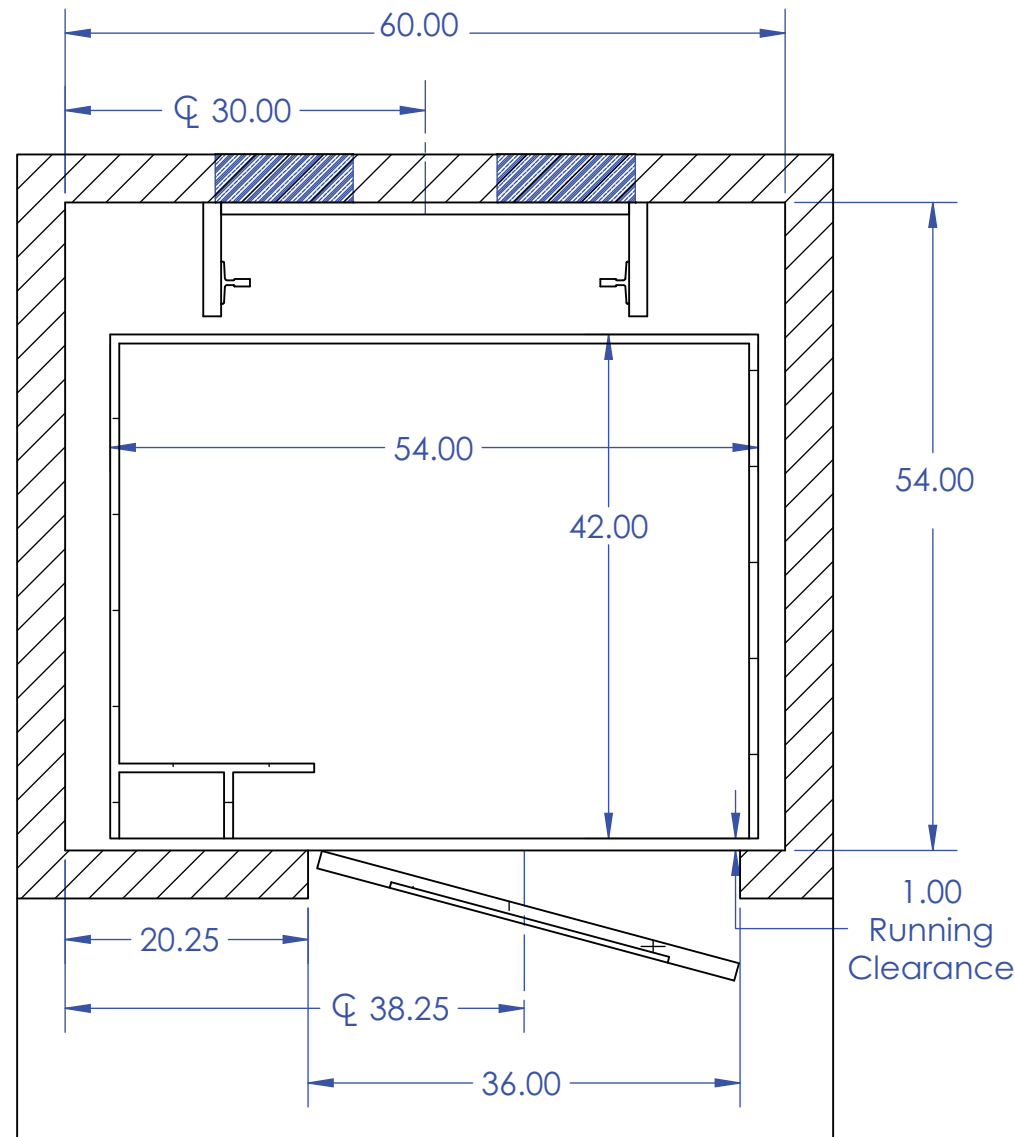


**Standard 5442L Package Specs:**

- Rails stack on rear side of elevator shaft
- 54" wide x 42" Deep Platform Size, 80" Height
- 3/4" finished floor allowance, 3/4" birch subfloor
- Aluminum platform
- 2 LED cab lights, automatic on/off
- Brushed aluminum fixtures
- Emergency Phone
- Standard Birch wall finish
- White accordion gate
- Honeywell door interlocks
- Swing doors and jambs by others.

**Available Options:**

- Clear accordion gate
- 4 LED lights
- Automatic Gate Operator
- Battery Lowering w/ Emergency Lighting
- Flush mount door jamb kit



**Elevator Shaft Requirements:**

Pit: 12"  
 Width: 60" Min  
 Depth: 54" Min 56" Max

**Minimum Overhead Clearance:**

Cab	Overhead
80"	102"
84"	106"
95"	117"



- All swing doors must comply with ASME 17.1, National Elevator Code, 3 x 5 rule or 3/4" x 3" as required by local jurisdiction.
- Minimum shaft sizes shown.
- Consult factory for changes to door swing or offset location.
- See Rail Bracket Detail sheet for anchoring and support details.
- See Electrical Requirement sheet for electrical requirements.
- All dimensions are inside clear finished dimensions.

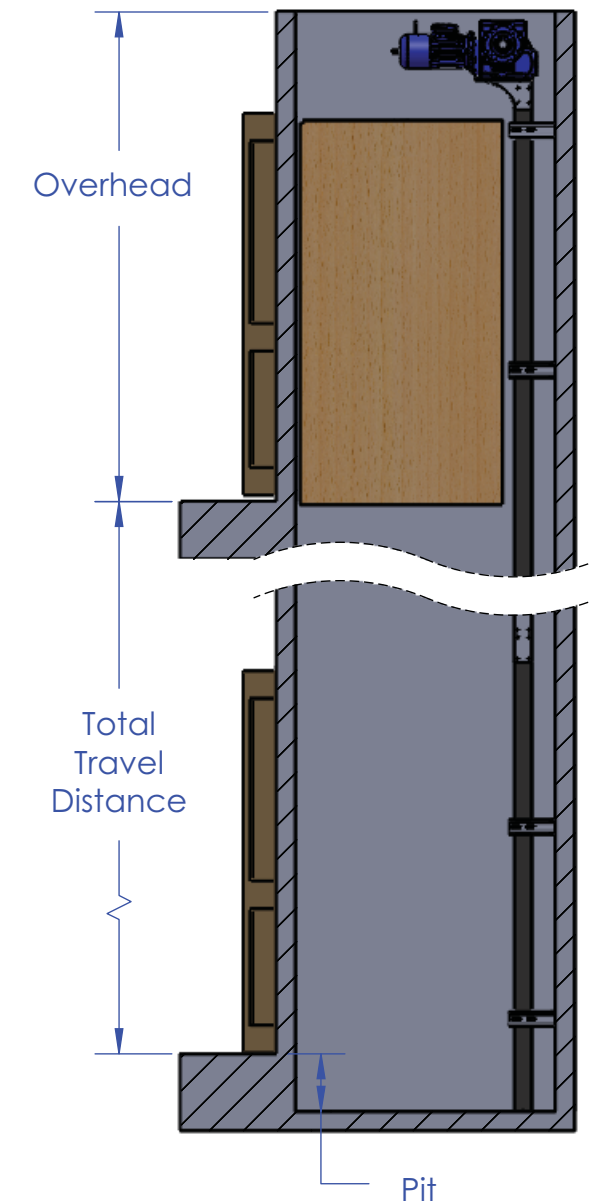
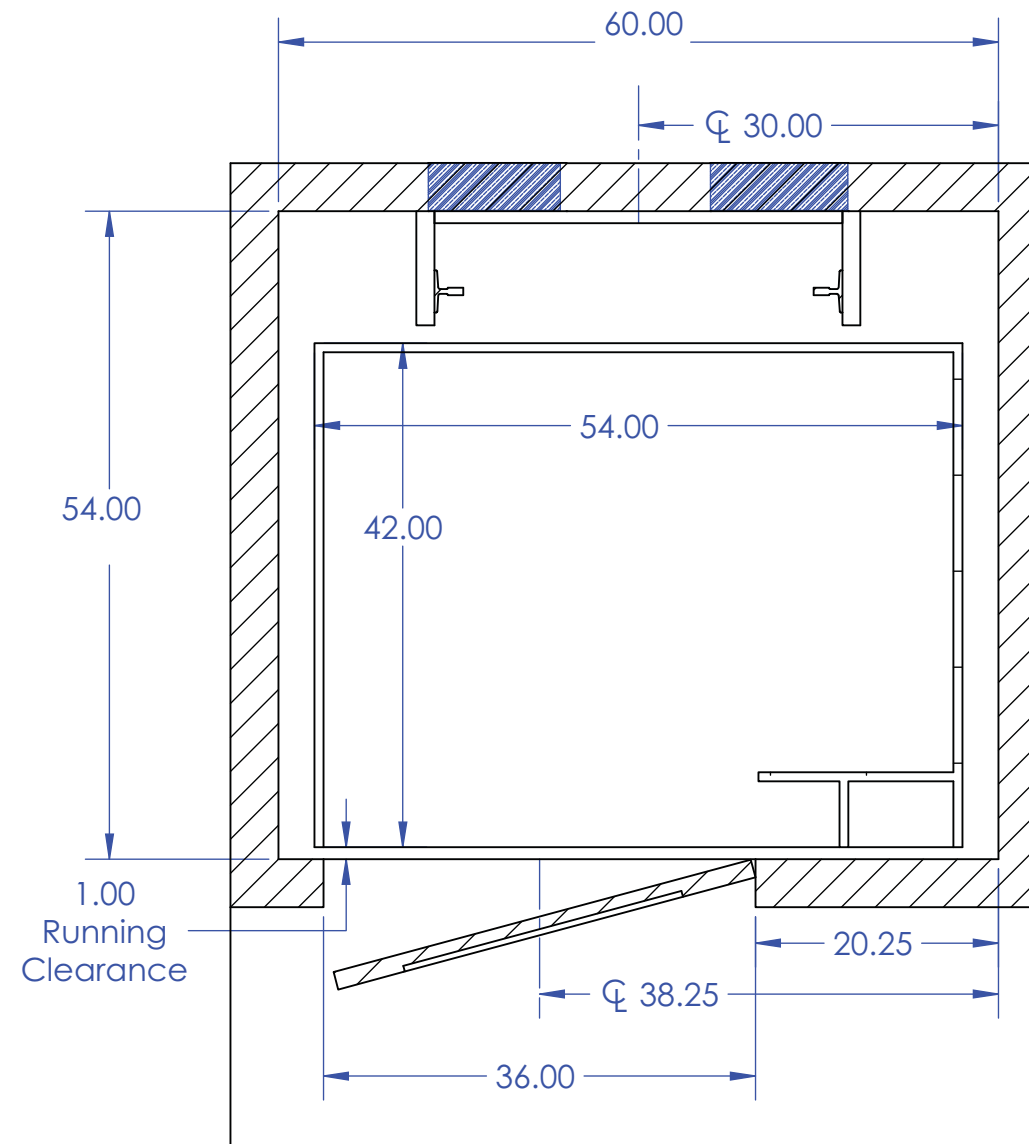
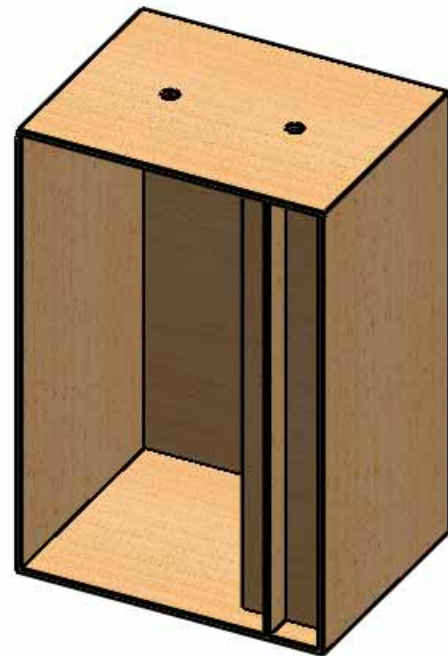
<b>DRAWING NOT TO SCALE</b>	NAME	DATE	PROJECT NAME
	Filed By		
<b>PROPRIETARY AND CONFIDENTIAL</b> THE INFORMATION CONTAINED IN THIS DRAWING IS THE SOLE PROPERTY OF PRECISION LIFT INDUSTRIES, LLC. ANY REPRODUCTION IN PART OR AS A WHOLE WITHOUT THE WRITTEN PERMISSION OF PRECISION LIFT INDUSTRIES, LLC IS PROHIBITED.	By signing below, you are authorizing this job to be released for production as listed.		PROJECT LOCATION
	Release for production		COMMENTS:
	PO#		
SCALE 1:16	SIZE DWG. NO. <b>5442L</b>	REV.	
			SHEET 16 OF 2

**Standard 5442R Package Specs:**

- Rails stack on rear side of elevator shaft
- 54" wide x 42" Deep Platform Size, 80" Height
- 3/4" finished floor allowance, 3/4" birch subfloor
- Aluminum platform
- 2 LED cab lights, automatic on/off
- Brushed aluminum fixtures
- Emergency Phone
- Standard Birch wall finish
- White accordion gate
- Honeywell door interlocks
- Swing doors and jambs by others.

**Available Options:**

- Clear accordion gate
- 4 LED lights
- Automatic Gate Operator
- Battery Lowering w/ Emergency Lighting
- Flush mount door jamb kit



**Elevator Shaft Requirements:**

Pit: 12"  
 Width: 60" Min  
 Depth: 54" Min 56" Max

**Minimum Overhead Clearance:**

Cab	Overhead
80"	102"
84"	106"
95"	117"



- All swing doors must comply with ASME 17.1, National Elevator Code, 3 x 5 rule or 3/4" x 3" as required by local jurisdiction.
- Minimum shaft sizes shown.
- Consult factory for changes to door swing or offset location.
- See Rail Bracket Detail sheet for anchoring and support details.
- See Electrical Requirement sheet for electrical requirements.
- All dimensions are inside clear finished dimensions.

<b>DRAWING NOT TO SCALE</b>	NAME	DATE	PROJECT NAME
	Filed By		
	By signing below, you are authorizing this job to be released for production as listed.		PROJECT LOCATION
<b>PROPRIETARY AND CONFIDENTIAL</b> <small>THE INFORMATION CONTAINED IN THIS DRAWING IS THE SOLE PROPERTY OF PRECISION LIFT INDUSTRIES, LLC. ANY REPRODUCTION IN PART OR AS A WHOLE WITHOUT THE WRITTEN PERMISSION OF PRECISION LIFT INDUSTRIES, LLC IS PROHIBITED.</small>	Release for production		COMMENTS:
	PO#		
SCALE 1:16	SIZE DWG. NO. <b>5442R</b>	REV.	
			SHEET 15 OF 2