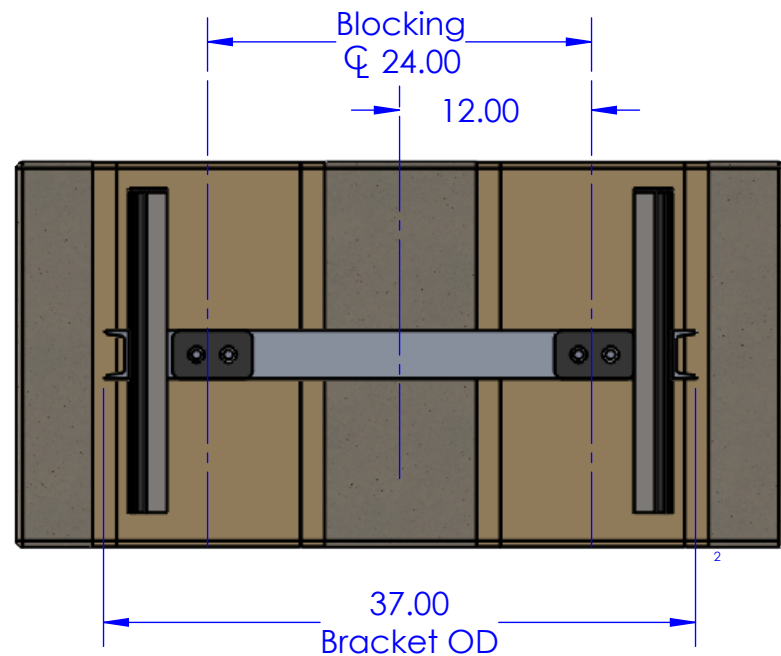
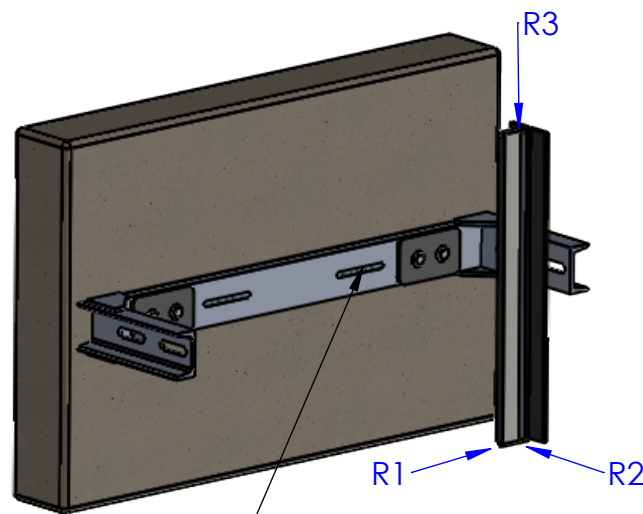
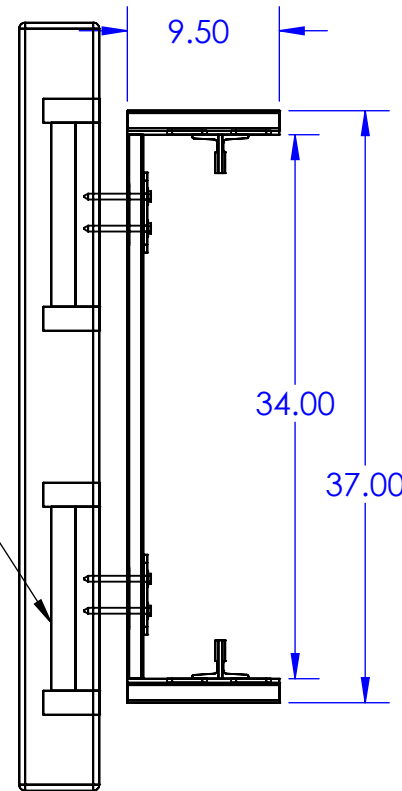


Rail Bracket Detail Sheet



Double stacked 2x12 with 2x4 end caps running the full vertical length of the rail support wall.



ATTACH VIA 3/8 X 4" LAG BOLTS FOR WOOD OR 3/8 x 5" WEDGE ANCHOR FOR CONCRETE

RAIL FORCES	
R1	105 LBS
R2	250 LBS
R3	3750 LBS

ELITE 9500 ELEVATOR Specifications

MODEL	WD-9500
CAPACITY	950 LBS
SPEED	40 FPM (Nominal)
DRIVE	3 HP GEARMOTOR W/BRAKE, 220VAC, WINDING DRUM
SAFETIES	INSTANTANEOUS TYPE "A" SLACK CABLE
DOOR LOCKS	ELECTROMECHANICAL, HONEYWELL RELIALIGN INTERLOCKS
ELECTRICAL REQUIREMENTS	110VAC 15AMP DEDICATED CIRCUIT FED THROUGH DISCONNECT 220VAC 30AMP DEDICATED CIRCUIT FED THROUGH DISCONNECT
CONTROL SYSTEM	PLC CONTROLLER, VFD MOTOR CONTROL, OPTICAL SENSOR LANDING SYSTEM

GENERAL NOTES

MANUFACTURED IN COMPLIANCE WITH ASME A17.1.5.3, NATIONAL SAFETY CODE FOR ELEVATORS AND ESCALATORS AND NEC

Work By Others

- PLUMB, SQUARE AND LEGAL HOISTWAY BUILT TO MATCH SHOP DRAWINGS, WITH ADEQUATE SUPPORT AND DOOR OPENING IN LINE.
- 220vac, 30 AMP DEDICATED CIRCUIT, FED THROUGH LOCKABLE FUSABLE DISCONNECT
- 120VAC, 15 AMP DEDICATED CIRCUIT, FED THROUGH LOCKABLE FUSABLE DISCONNECT (DISCONNECTS MUST BE ADJACENT TO ELEVATOR CONTROLLER LOCATION)
- DEDICATED TELEPHONE LINE LOCATED ADJACENT TO ELEVATOR CONTROLLER

ELEVATOR HOISTWAY REQUIREMENTS SUBJECT TO LOCAL JURISDICTION



- All swing doors must comply with ASME 17.1, National Elevator Code, 3 x 5 rule or 3/4" x 3" as required by local jurisdiction.
- Minimum shaft sizes shown.
- Consult factory for changes to door swing or offset location.
- See Rail Bracket Detail sheet for anchoring and support details.
- See Electrical Requirement sheet for electrical requirements

DRAWING NOT TO SCALE

PROPRIETARY AND CONFIDENTIAL

THE INFORMATION CONTAINED IN THIS DRAWING IS THE SOLE PROPERTY OF PRECISION LIFT INDUSTRIES, LLC. ANY REPRODUCTION IN PART OR AS A WHOLE WITHOUT THE WRITTEN PERMISSION OF PRECISION LIFT INDUSTRIES, LLC IS PROHIBITED.

NAME	DATE	PROJECT NAME
Filed By		
By signing below, you are authorizing this job to be released for production as listed. Engineering will review dimensions and generate a FINAL APPROVED Drawing to scale and you will receive a job confirmation letter.		PROJECT LOCATION
Release for production		COMMENTS:
PO#	SCALE 1:16	SIZE DWG. NO. REV. SHEET 2 of 2